

# KS-08WIFI

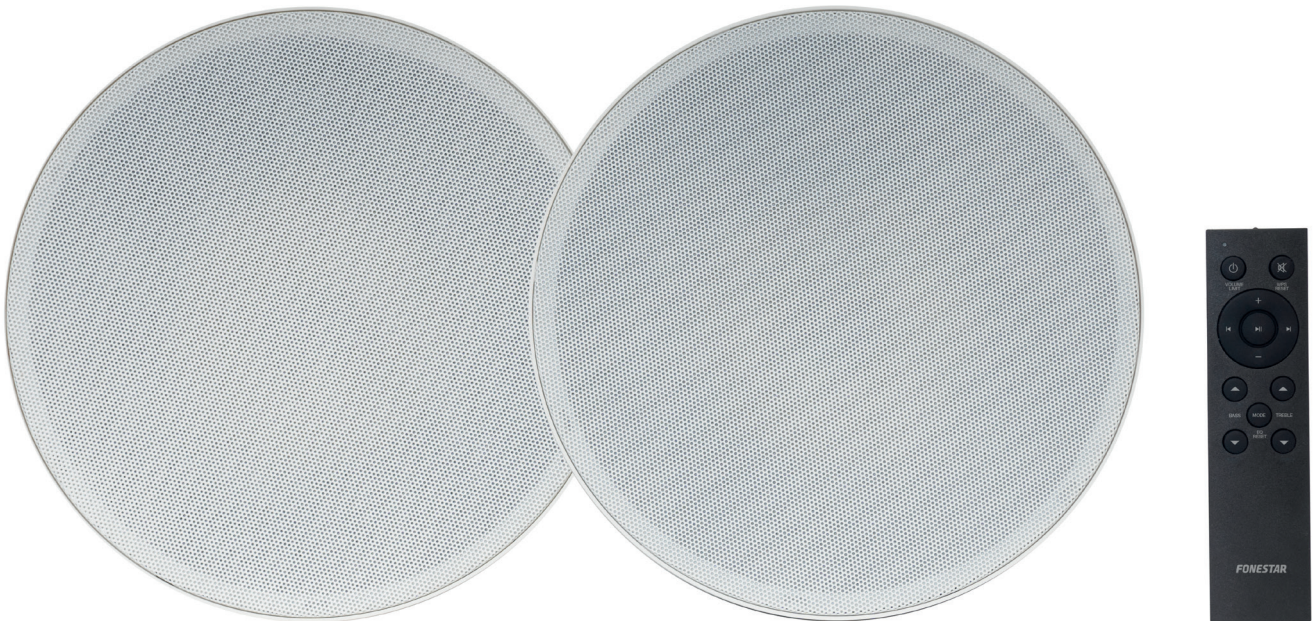
2 CEILING LOUDSPEAKERS SOUND KIT

Wi-Fi + BLUETOOTH®

KIT DE SONIDO 2 ALTAVOCES DE TECHO Wi-Fi + BLUETOOTH®

KIT DE SON 2 HAUT-PARLEURS DE PLAFOND Wi-Fi + BLUETOOTH®

KIT DE SOM 2 COLUNAS DE TETO Wi-Fi + BLUETOOTH®



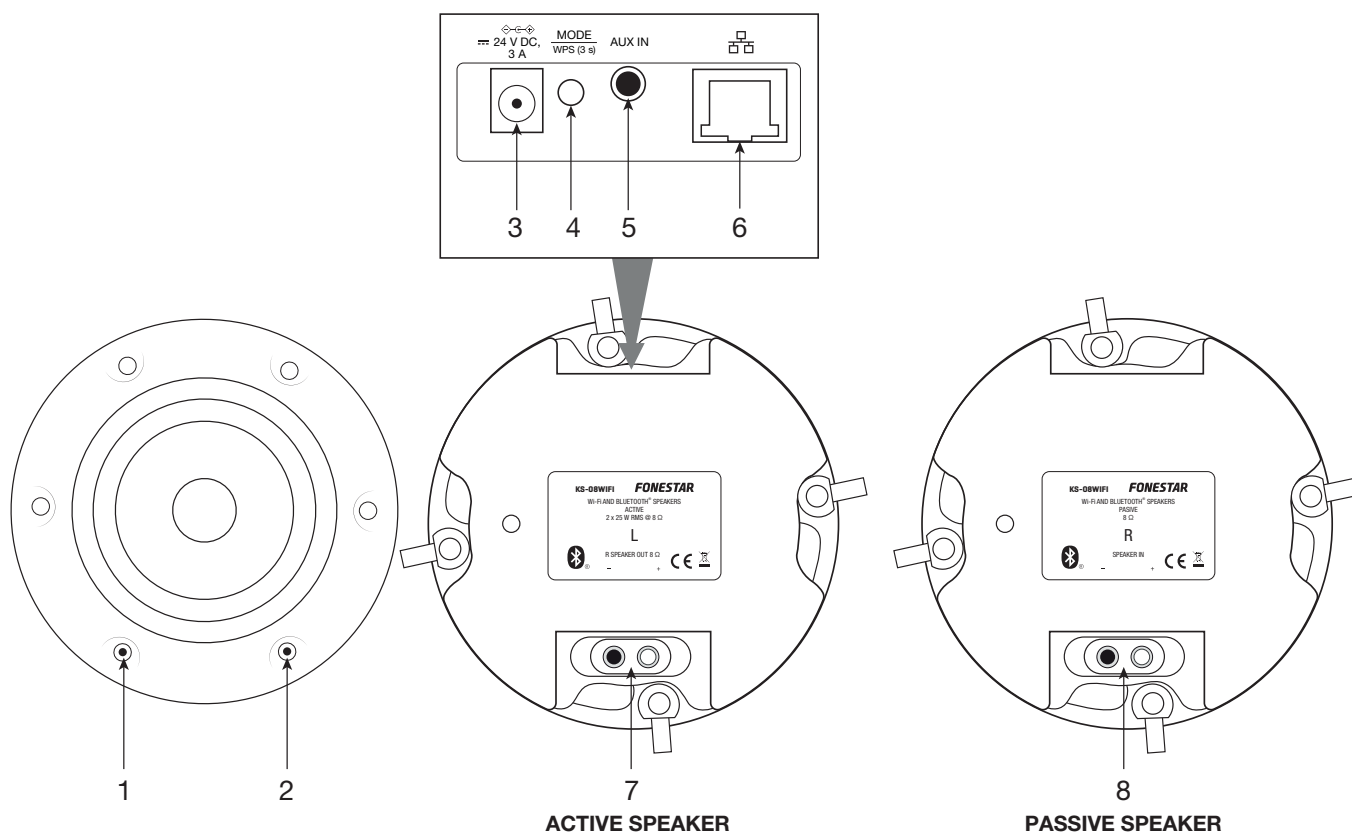
INSTRUCTION MANUAL/MANUAL DE USUARIO/  
MODE D'EMPLOI/MANUAL DE INSTRUÇÕES


**FONESTAR**

## DESCRIPTION

- Ideal sound kit for office or home use, in medium-sized rooms, kitchens, etc., consisting of an active speaker and a passive speaker. The class D amplifier offers high sound quality and reliability, as well as a high efficiency. The speakers are coaxial with 6½” woofer and 1” tweeter.
- Play music from your smartphone, tablet, Windows or Mac. You can stream music directly via Bluetooth or via Wi-Fi with App for smartphones and tablets (iOS and Android) that allows control and streaming of music content. It can connect to online music services and internet radio, allows you to play music while receiving calls or using your smartphone for other applications without sound or notifications being played on the speakers. You can send the same music programme to several speakers at the same time in multi-room mode, or play different music programmes on each speaker. You can also select a different volume for each speaker and customise its name, among other options.
- In addition to the Bluetooth and Wi-Fi receiver, it has an auxiliary input for connecting another sound source.
- This great pair of speakers consists of an active speaker with receiver and amplifier and a passive speaker.
- Ideal sound kit for home and professional audio installations (offices, medium sized rooms, kitchens, waiting rooms, clinics, etc.).

## CONTROLS AND FUNCTIONS



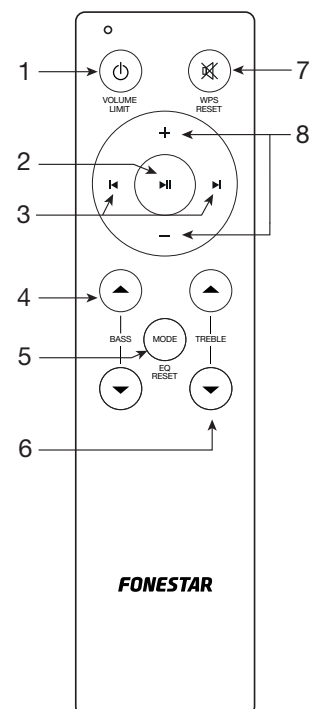
- 1.- IR receiver for remote control.
- 2.- LED speaker power indicator. Lights green when connected to power supply.
- 3.- AC socket for connection of the supplied power adapter.
- 4.- **MODE/WPS (3 s):** button to switch the playback mode between: Wi-Fi playback, auxiliary input and Bluetooth playback. Press 5 seconds to start the Wi-Fi network setup process if it has not started automatically.
- 5.- **INPUT (AUX):** stereo auxiliary input 3.5 mm stereo jack connector.
- 6.- : ethernet input for connecting to a router, RJ-45 connector.

**NOTE:** the speaker must be connected to the Wi-Fi network for APP control and Wi-Fi mode. The wired network connection will not work without a Wi-Fi connection.

- 7.- **R SPEAKER OUT 8 Ω:** output for connection of the 8 Ω passive speaker, push-in terminals.
- 8.- **SPEAKER IN:** input for connection to the active speaker, push-in terminals.

## REMOTE CONTROL

- 1.- **⏻/VOLUME LIMIT:** power/StandBy button. A long press of this button changes the volume limit between 100% or 50%.
- 2.- **▶||:** in Wi-Fi and Bluetooth mode, allows you to start/pause playback. In AUX mode, enables/disables the audio output.
- 3.- **◀/▶:** volume controls.
- 4.- **BASS:** boosts/attenuates low frequencies.
- 5.- **MODE/EQ RESET:** press this button successively to switch between the different modes: Wi-Fi, AUX IN and Bluetooth. A long press of this button resets the volume and EQ values (bass and treble).
- 6.- **TREBLE:** boosts or attenuates high frequencies.
- 7.- **⊗/WPS RESET:** turns the audio output on/off. A long press of this button resets the device to factory default.
- 8.- **+/-:** in Wi-Fi and Bluetooth mode, a short press of these buttons selects the previous/next song to the currently playing song.



## INSTRUCTIONS FOR USE

WiiM CONTROL APP - Legacy Player.

- The control APP allows you to connect the speaker to the network, create groups of speakers, control the volume of each of them, etc.
- The main function is to select the audio source to play. This APP allows you to select between online radio, access to Spotify (Premium compatible), music stored on your own mobile device and even the inputs integrated in the speaker (AUX IN).
- Connecting multiple devices allows you to perform multiroom scenes and control them at the same time, or separately by playing different music programs on each.
- For further information on APP operation, refer to the guide at: [fonestar.com/en/KS-08WIFI](http://fonestar.com/en/KS-08WIFI).

Scan the QR code to download the APP.



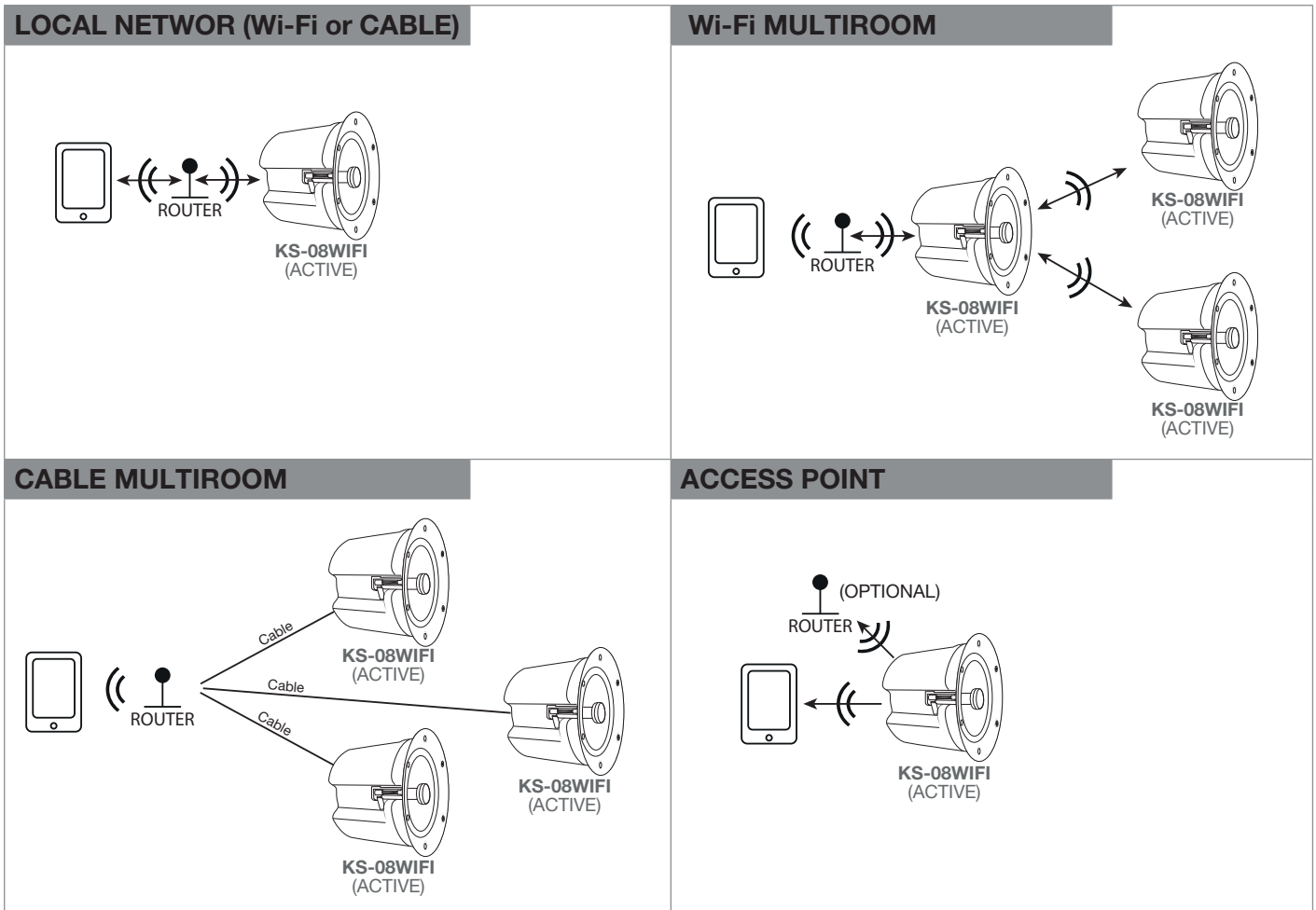
ANDROID




IOS

**NOTA:** the APP can be changed or updated. If you need more information please consult our website or contact us from there.

## OPERATING MODES: WiFi




- Select Wi-Fi mode on the **KS-08WIFI** by pressing the MODE button on the active speaker or remote control, or via the APP. The voice-over will say WI-FI MODE. Connection of the speaker to the data network can be made via Wi-Fi signal or cable by connecting to the port .

**NOTE:** the computer will always try to connect over Wi-Fi first.

- This mode always requires the use of a mobile device with the control APP installed.
- There are 3 types of connections: access point, local network and multiroom.

**NOTE:** if the router you connect the speaker to does not have internet access, online radio services, Spotify online, etc. will not be available and you will only be able to send audio stored on your mobile device.

- LOCAL NETWORK:** the smartphone and the speaker will be connected to the same local network and communicate through it. If the Wi-Fi network has internet access all services on the APP will be available. It is possible to connect several speakers to the same network and control them from the APP independently. Connection of the speaker to the local network can be made via Wi-Fi signal or cable by connecting to the port .

To use this mode with a Wi-Fi network, you need to set up the local Wi-Fi network on the speaker from the APP. Open the APP and follow the instructions. Finally, select in the APP the audio to play and volume settings you want. For more information, download the APP user guide from our WEBSITE at [fonestar.com/en/KS-08WIFI](http://fonestar.com/en/KS-08WIFI).

If wired, you must connect the smartphone to the Wi-Fi network and the wired speaker to the router. The APP will discover the speaker on the same network. Wi-Fi connection is a priority and will always be attempted.

- MULTIROOM:** all speakers in the same group must be connected to the local network. If a speaker is connected to Wi-Fi, the priority connection is Wi-Fi. Wi-Fi connection will always have priority over wired connection.
  - **Wi-Fi:** the smartphone and the (main) speaker will connect to and communicate over the same Wi-Fi network. In turn, other (secondary) speakers connect to the Wi-Fi access point of the main speaker to play all the same audio synchronously. These so-called secondary speakers cannot be placed far away from the main speaker (maximum 4-5 meters).

- **CABLE:** the smartphone connects via Wi-Fi to the router. The speakers are connected via cable. The speakers will connect to each other via wired local area network instead of Wi-Fi extending the range of the "multiroom" function.

Once the speakers have been grouped together, it will be possible to make different configurations for each of the speakers in the group via the APP so that they play the right (R), left (L) audio or work normally in the right (R) or left (L) audio mode. If the Wi-Fi network has internet access all services on the APP will be available.

Choose which will be the main speaker and press its (+) button on the APP in the upper right corner of each speaker, then the APP will allow you to select the slave speakers. Finally, select the audio to play and volume settings you want. For more information, download the APP user guide from our WEBSITE at [fonestar.com/en/KS-08WIFI](http://fonestar.com/en/KS-08WIFI).

**NOTE:** to facilitate the initial configuration when setting up the Wi-Fi network, it is recommended to do it one at a time, i.e. only have the one you are going to set up switched on and the rest switched off.

- c.- **ACCESS POINT:** the smartphone connects to the speaker's Wi-Fi network. If you first connect the speaker to a local network with internet (via Wi-Fi or cable), all online radio services, Spotify online, etc. will be available.

To use this mode, open the Wi-Fi network settings on your mobile device and connect to the Wi-Fi network of the KS-08WIFI\_xxxx speaker. Finally, open the APP, select the audio to play and volume settings you want.

#### - Wi-Fi CONNECTION NOTES:

**IMPORTANT:** keep your smartphone and speaker close to the router.

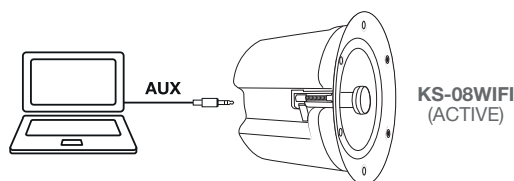
**NOTA:** to make it easier to set up the Wi-Fi network for the first time for several speakers, it is recommended to do it one by one, i.e. have only the one you are going to set up switched on and the rest switched off. Also, it is advisable to place speaker and router nearby.

**NOTE:** if the network of the KS-08WIFI\_xxx speaker does not appear as an available network in the Wi-Fi settings of your smartphone, press the WPS button for 3 seconds. The voice-over will say "ENTERING SETUP MODE, FOLLOW THE INSTRUCCIONES IN THE APP TO FINISH THE SETUP".

**NOTE:** if the speaker does not appear in the APP, restart the APP or disconnect and reconnect the smartphone to the Wi-Fi network.

- 1.- With your smartphone connected to the network via Wi-Fi, turn on the speaker and open the APP on your smartphone.
- 2.- If this is the first time, the speakerphone will not be found and you will have to perform the network configuration on the speakerphone. First-time setup requires several steps that we detail in the APP guide. For more information, download the APP user guide from our WEBSITE at [fonestar.com/en/KS-08WIFI](http://fonestar.com/en/KS-08WIFI).
- 3.- The APP will search for compatible devices connected to the same network and, if you have already connected it before, the speaker will appear directly, after a few moments, the voice-over will say CONNECTED TO YOUR Wi-Fi NETWORK.

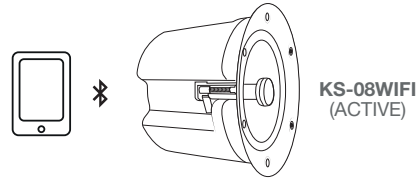
#### OPERATING MODES: AUX IN



Connect an auxiliary signal (PC, mixer, TV, etc.) to the AUX IN connector on the rear panel of the speaker and select AUX mode by pressing MODE or via the APP, if the speaker has been previously connected to Wi-Fi network. The voice over will say A-U-X MODE.

- Select the music on your external player and start playback.

## OPERATING MODES: BLUETOOTH -----



Select BLUETOOTH mode on the **KS-08WIFI** by pressing the MODE button on the active speaker or remote control, or via the APP, if the speaker has been previously connected to Wi-Fi network. The voice over will say BLUETOOTH MODE.

- Open the Bluetooth settings screen on your smartphone or tablet to pair the **KS-08WIFI**.
- Search for and select the KS-08WIFI device and pair to it. A verification sound will be played.

**NOTE:** this amplifier recalls the last connected device. So, if it is the same device, you do not need to perform this pairing process.

- Select the music on your smartphone/tablet and start playback.
- Make sure your smartphone/tablet is loud enough to be heard through the speakers. This allows you to control the volume from the APP or remote control without having to handle any other equipment.

## CONNECTION

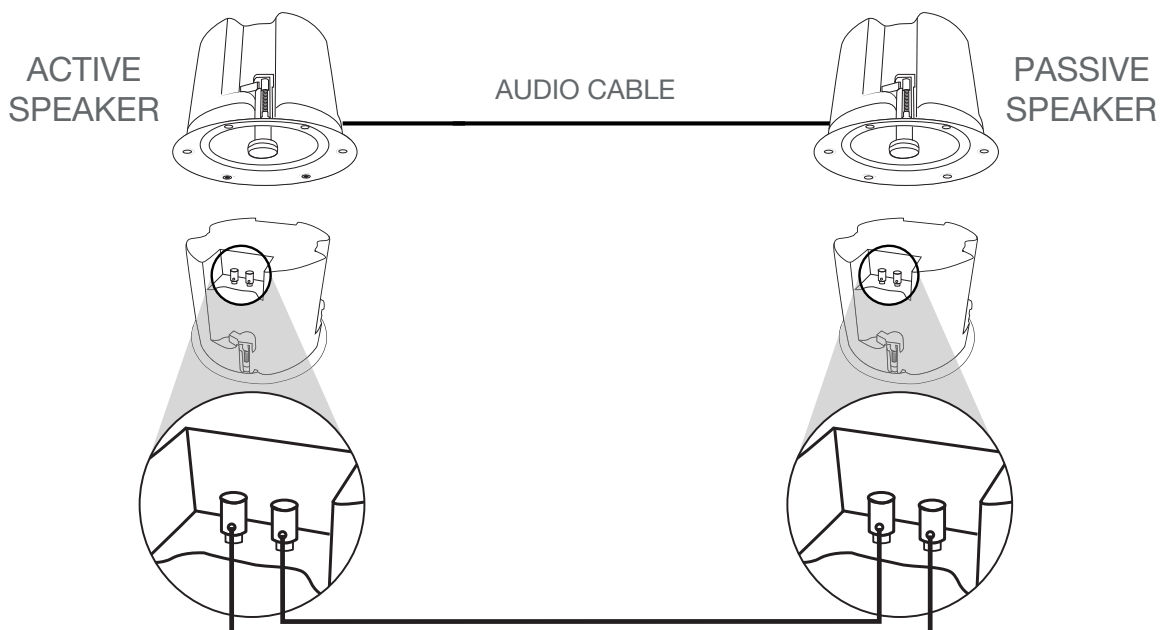
- Connect the active and passive speakers with a speaker cable. Connect the R SPEAKER OUT output of the active speaker to the SPEAKER IN input of the passive speaker.
- Optional: connect an audio cable to the AUX IN input.
- Connect the power adapter first to the speaker and then to the power supply.

## INSTALLATION

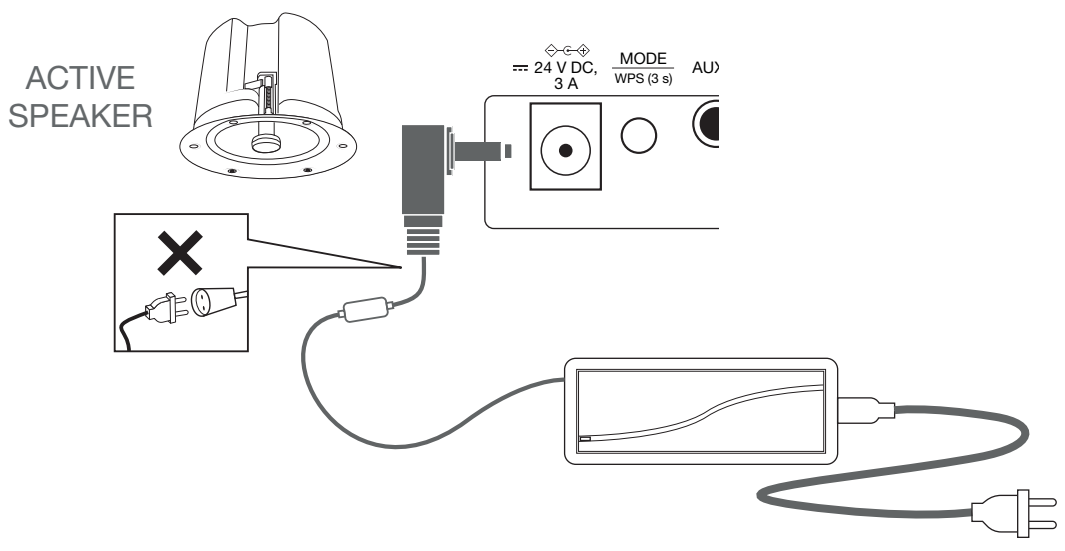
1



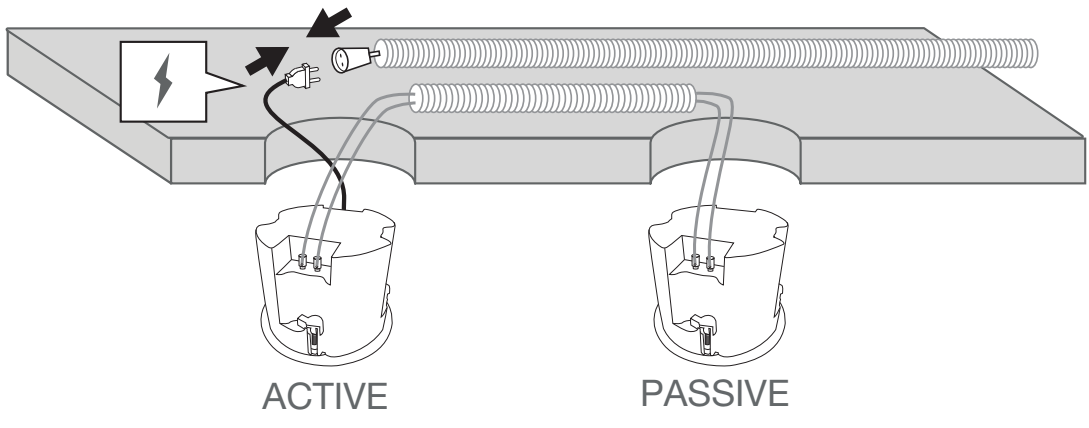
2



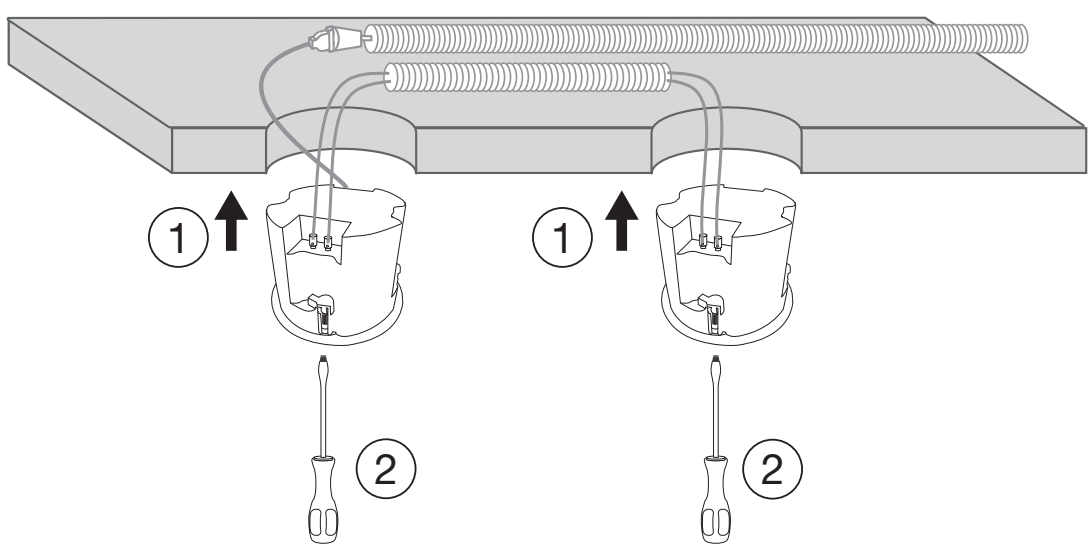
3

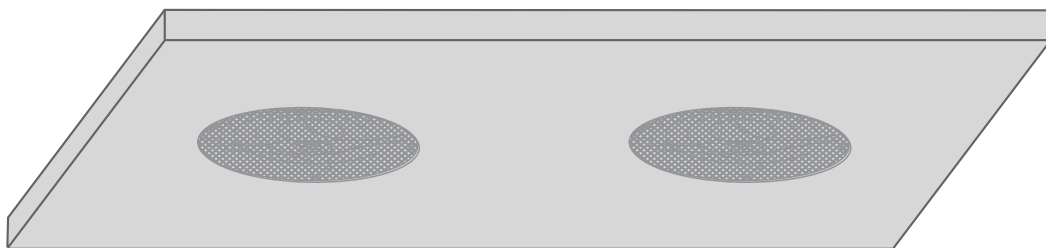
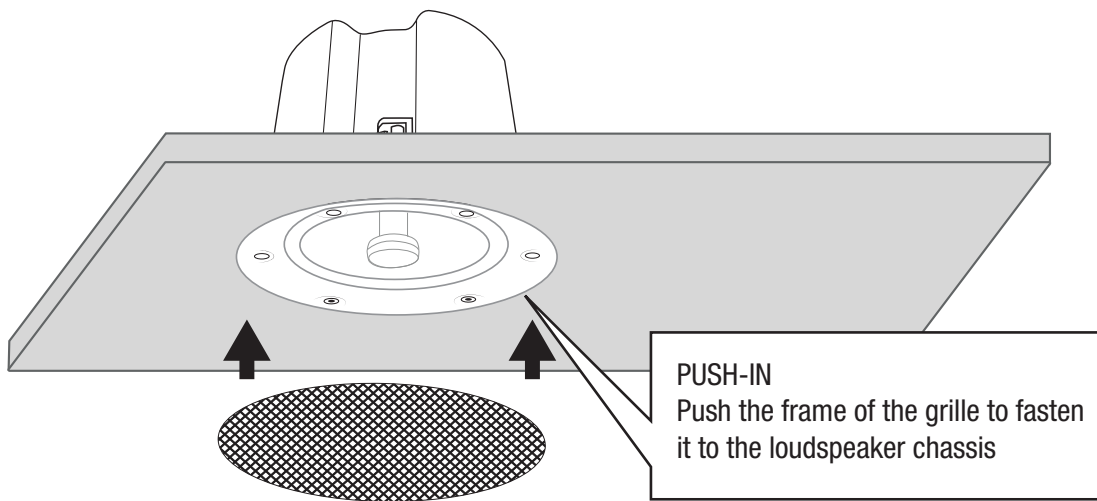


4



5





Wi-Fi ID: KS-08WIFI\_XXXX

Download the free APP  
WiiM - Legacy Player





## TECHNICAL SPECIFICATIONS

KS-08WIFI	
<b>FEATURES</b>	<p>Pair of Wi-Fi and Bluetooth ceiling loudspeakers.            Active loudspeaker with amplifier and output for passive loudspeaker.            Plays music from your smartphone, tablet, Windows or Mac (DLNA and Airplay compatible).            App for control from smartphones and tablets (iOS and Android), which allows connection to online music services and internet radio.            Bluetooth receiver.            Line input.            Multiroom function (see NOTE).            Frameless, low-profile grille.            Remote control.</p>
<b>BLUETOOTH</b>	<p>Bluetooth to 5.0 h            Transmission distance 10 m</p>
<b>AMPLIFIER</b>	2 x 25 W RMS
<b>SPEAKERS</b>	Coaxial: 6 ½" woofer, kevlar and 1" tweeter (active and passive) @ 8 Ω
<b>RESPONSE</b>	80-20.000 Hz
<b>INPUTS</b>	<p>1 stereo auxiliary, 3.5 mm jack, 1 V RMS            1 RJ-45 Ethernet (Ethernet data connection)</p>
<b>SENSITIVITY</b>	89 dB @ 1 W/1 m
<b>S/N RATIO</b>	≤ 92 dB
<b>MATERIALS</b>	<p>ABS enclosure            Frameless round grille</p>
<b>POWER SUPPLY</b>	24 V DC, 3 A with adapter included
<b>DIMENSIONS</b>	<p>Loudspeakers            230 mm Ø x 160 mm depth            Cut-out hole: 203 mm Ø</p>
<b>ACCESSORIES</b>	<p>5 m speaker cable            Remote control            Batteries for remote control</p>
<b>NOTE</b>	<p>Multiroom mode allows multiple speakers to play the same audio simultaneously by grouping them together easily from the APP. One of the speakers will be the main speaker and will be joined by the rest of the group</p> <p>All secondary speakers must be connected to the main speaker via the same means: Wi-Fi (priority if any speaker is connected to the Wi-Fi network) or Ethernet data cable (if no speaker is connected to WiFi). Via Wi-Fi, the secondary speakers will connect to the access point of the main speaker, which creates its own network for the multiroom function. The secondary loudspeakers must be within the range of the main loudspeaker network (approx. 5 - 7 m)</p>

### SIMPLIFIED EU DECLARATION OF CONFORMITY

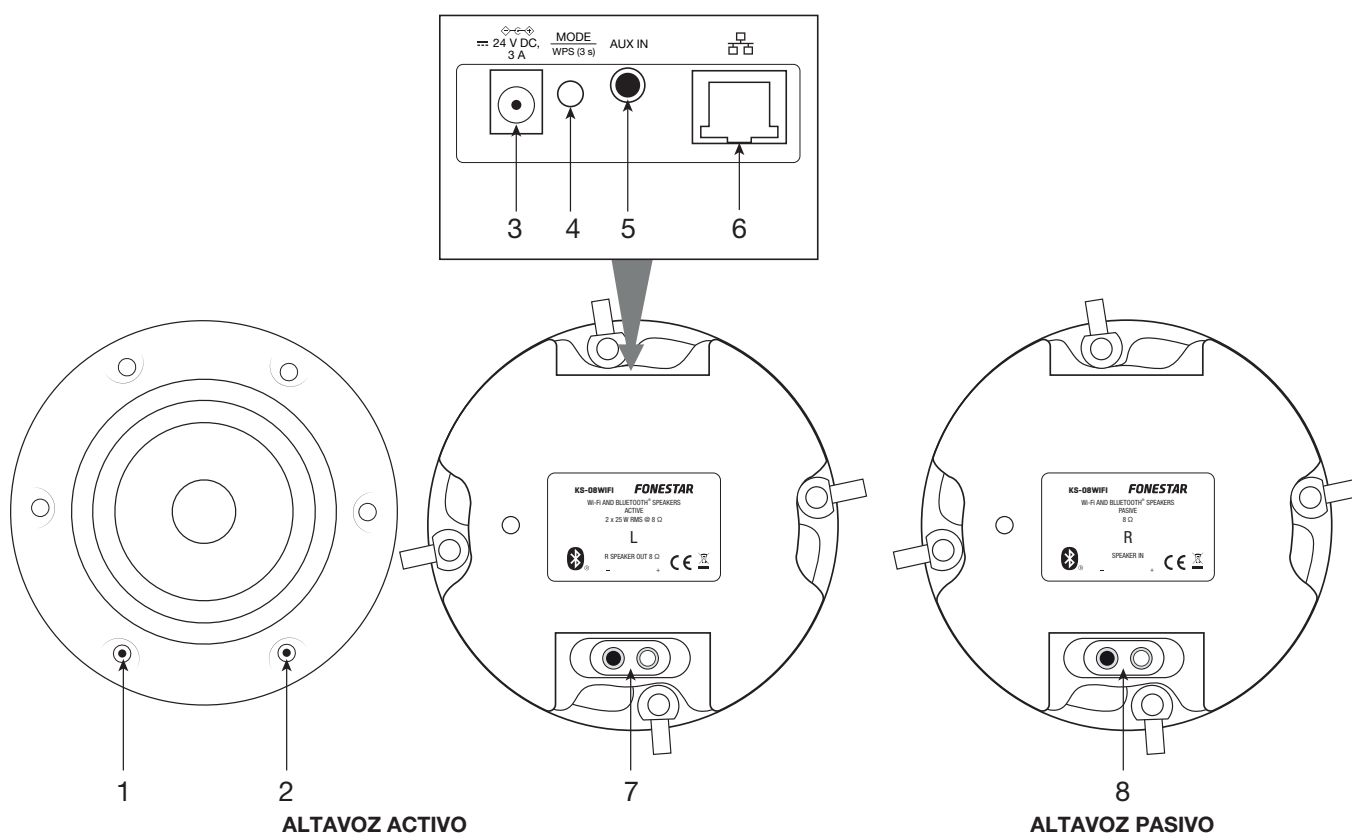
FONESTAR SISTEMAS S.A. hereby declares that the audio system KS-08WIFI is in compliance with the Directive 2014/53/EU.

The complete text of the EU Declaration of Conformity is available at the following internet address:  
[fonestar.com/KS-08WIFI](http://fonestar.com/KS-08WIFI)

## DESCRIPCIÓN

- Kit de sonido ideal para oficinas u hogar, en habitaciones de tamaño medio, cocinas, etc., compuesto de altavoz activo y altavoz pasivo. El amplificador Clase D ofrece una gran fiabilidad y calidad de sonido, y una alta eficiencia. Los altavoces son coaxiales con woofer de 6½” y tweeter de 1”.
- Reproduce música desde tu smartphone, tablet, Windows o Mac. Puedes transmitir la música directamente por Bluetooth o a través de Wi-Fi con App para smartphones y tablets (iOS y Android) que permite control y transmisión de contenidos musicales. Puede conectar con servicios de música online e internet radio, permite reproducir música mientras se reciben llamadas o se utiliza el smartphone para otras aplicaciones sin que se reproduzca el sonido o notificaciones en los altavoces. Puedes enviar el mismo programa musical a varios altavoces a la vez en modo multiroom, o reproducir diferentes programas musicales en cada uno de ellos. También puedes seleccionar diferente volumen de cada altavoz y personalizar su nombre, entre otras opciones.
- Además del receptor Bluetooth y Wi-Fi tiene entrada auxiliar para conectar otra fuente de sonido.
- Esta estupenda pareja de altavoces está compuesta de un altavoz activo con el receptor y amplificador, y un altavoz pasivo.
- Kit de sonido ideal para instalaciones de audio domésticas y profesionales (oficinas, habitaciones de tamaño medio, cocinas, salas de espera, clínicas, etc.).

## CONTROLES Y FUNCIONES



- 1.- Receptor IR para mando a distancia.
- 2.- Indicador luminoso de encendido del altavoz. Se enciende verde cuando está conectado a la alimentación.
- 3.- Zócalo CC para la conexión del adaptador de corriente suministrado.
- 4.- **MODE/WPS (3 s):** botón que permite cambiar el modo de reproducción entre: reproducción en modo Wi-Fi, entrada auxiliar y Bluetooth. Pulse 5 segundos para comenzar el proceso de configuración de la red Wi-Fi si no se ha iniciado automáticamente.
- 5.- **AUX IN:** entrada auxiliar estéreo, conector jack 3'5 mm estéreo.





6.- : entrada ethernet para conectar a un router, conector RJ-45.

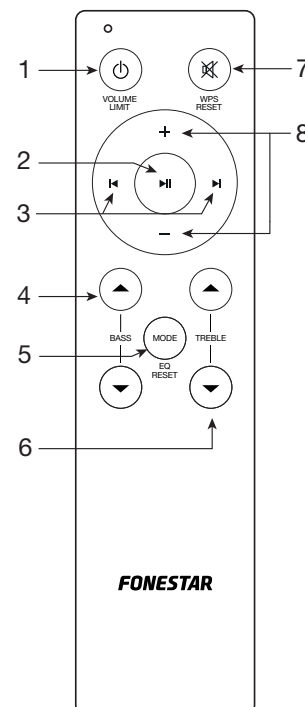
**NOTA:** el altavoz deberá estar conectado a la red Wi-Fi para el control mediante APP y el uso del modo Wi-Fi. La conexión de red por cable no podrá funcionar sin conexión Wi-Fi.

7.- **R SPEAKER OUT 8 Ω:** salida para la conexión del altavoz pasivo de 8 Ω, terminales a presión.

8.- **SPEAKER IN:** entrada para la conexión con el altavoz activo, terminales a presión.

## MANDO A DISTANCIA

- 1.- /**VOLUME LIMIT:** botón de encendido/StandBy. Una pulsación larga de este botón modifica el límite de volumen entre 100% o 50%.
- 2.- : en modo Wi-Fi y Bluetooth, permite iniciar/pausar la reproducción. En modo AUX, activa/desactiva la salida de audio.
- 3.- : en modo Wi-Fi y Bluetooth, una pulsación corta de estos botones permite seleccionar la canción anterior/siguiente a la que se esté reproduciendo en ese momento.
- 4.- **BASS:** atenúa/refuerza las frecuencias graves.
- 5.- **MODE/EQ RESET:** pulse este botón sucesivamente para ir cambiando entre los diferentes modos: Wi-Fi, AUX IN y Bluetooth. Una pulsación larga de este botón restablece los valores de volumen y ecualización (bass y treble).
- 6.- **TREBLE:** atenúa/refuerza las frecuencias agudas.
- 7.- /**WPS RESET:** activa/desactiva la salida de audio. Una pulsación larga de este botón reestablece el equipo a valores de fábrica.
- 8.- **+/-:** controles de volumen.



## INSTRUCCIONES DE USO

APP DE CONTROL WiIM - Legacy Player.

- La APP de control permite realizar la conexión del altavoz a la red, crear grupos de altavoces, controlar el volumen de cada uno de ellos, etc.
- La función principal es la de seleccionar la fuente de audio a reproducir. Esta APP permite seleccionar entre radio online, acceso a Spotify (compatible con Premium), música almacenada en el propio dispositivo móvil e incluso las entradas integradas en el altavoz (AUX IN).
- Si conecta varios dispositivos podrá realizar escenarios multiroom y controlarlos a la vez, o por separado pudiendo reproducir diferentes programas musicales en cada uno de ellos.
- Para más información sobre el funcionamiento de la APP consulte la guía en: [fonestar.com/KS-08WIFI](http://fonestar.com/KS-08WIFI). Escanee el código QR para descargar la APP.

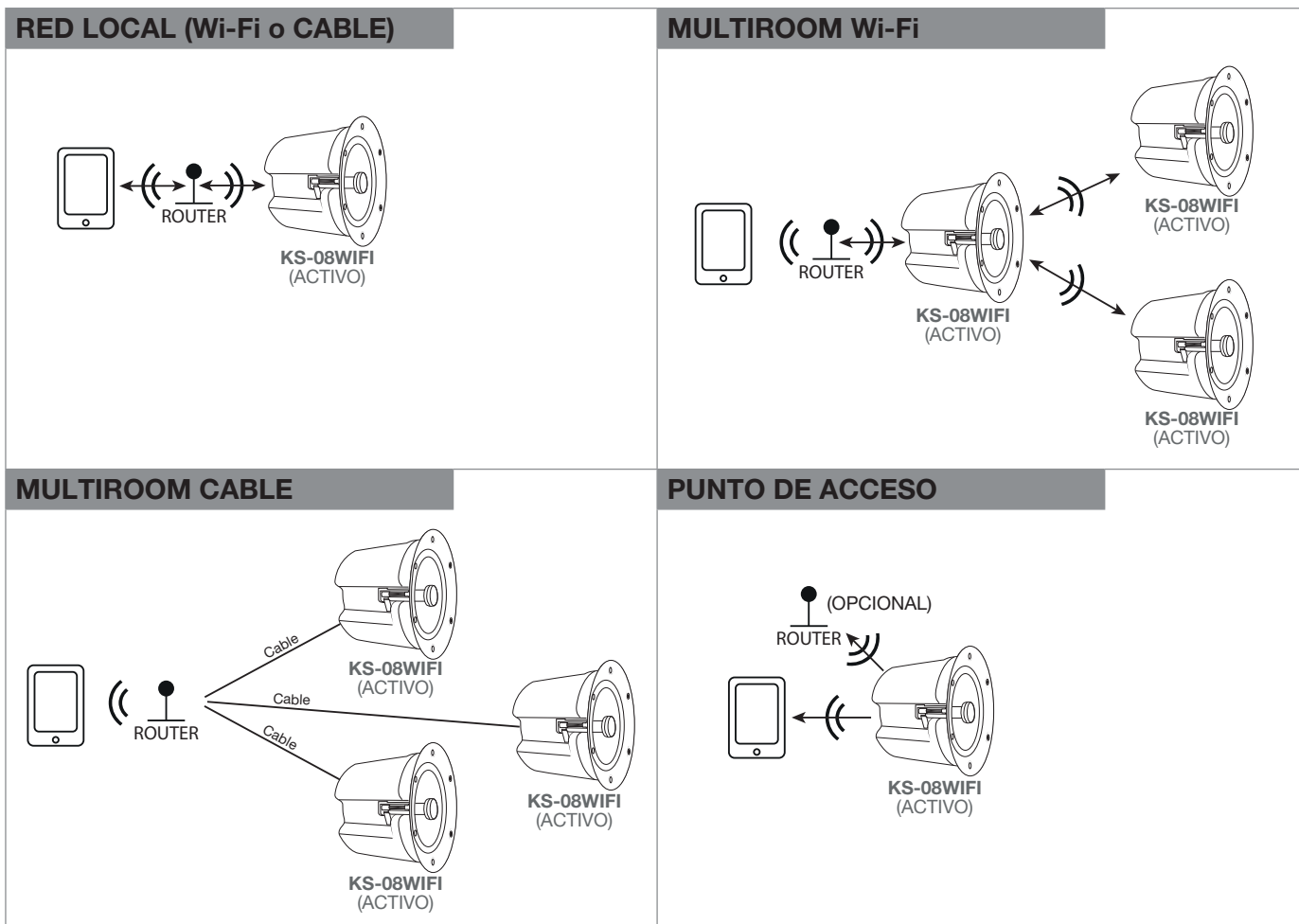



ANDROID



IOS

**NOTA:** la APP puede cambiar o actualizarse. Si necesita más información consulte nuestra página web o contacte con nosotros desde la misma.




- Seleccione el modo Wi-Fi en el **KS-08WIFI** pulsando el botón MODE del altavoz activo o del mando a distancia, o a través de la APP. La locución dirá Wi-Fi MODE. La conexión del altavoz a la red de datos podrá hacerse mediante señal Wi-Fi o mediante cable conectándose al puerto .

**NOTA:** el equipo siempre intentará conectarse primero a través de red Wi-Fi.

- Este modo siempre requiere el uso de un dispositivo móvil con la APP de control instalada.
- Existen 3 tipos de conexiones: punto de acceso, red local y multiroom.

**NOTA:** si el router al que conecte el altavoz no tiene acceso a internet los servicios de radio online, Spotify online, etc. no estarán disponibles y solo podrá enviar audio almacenado en su dispositivo móvil.

- a.- **RED LOCAL:** el smartphone y el altavoz se conectarán a una misma red local y se comunicarán a través de ella. Si la red tiene acceso a internet todos los servicios en la APP estarán disponibles. Es posible conectar varios altavoces a la misma red y controlarlos desde la APP de forma independiente. La conexión del altavoz a la red local podrá hacerse mediante señal Wi-Fi o mediante cable conectándose al puerto .

Para utilizar este modo con una red Wi-Fi, debe configurar la red Wi-Fi local en el altavoz desde la APP. Abra la APP y siga las instrucciones. Por último, seleccione en la APP el audio a reproducir y ajustes de volumen que desee. Para más información, descargue la guía de uso de la APP en nuestra página WEB: [fonestar.com/KS-08WIFI](http://fonestar.com/KS-08WIFI).


Si se conecta mediante cable debe conectar el smartphone a la red Wi-Fi y el altavoz por cable al router. La APP descubrirá el altavoz en la misma red. La conexión Wi-Fi es prioritaria y siempre se intentará establecer.

- b.- **MULTIROOM:** todos los altavoces del mismo grupo deben conectarse a la red local. Si un altavoz está conectado a Wi-Fi, la conexión prioritaria será Wi-Fi. La conexión Wi-Fi siempre tendrá prioridad sobre la conexión por cable.

- **Wi-Fi:** el smartphone y el altavoz (principal) se conectarán a una misma red Wi-Fi y se comunicarán a través de ella. A su vez, otros altavoces (secundarios), se conectan al punto de acceso Wi-Fi del altavoz principal para reproducir todos el mismo audio de forma sincronizada. Por ellos, estos altavoces denominados secundarios no podrán colocarse a gran distancia del altavoz principal (máximo 4-5 metros).

- **CABLE:** el smartphone se conecta por Wi-Fi al router y todos los altavoces por cable. Los altavoces se conectarán entre sí por red local de cable en lugar de Wi-Fi ampliando el rango de alcance de la función "Multiroom".

Una vez agrupados los altavoces será posible realizar distintas configuraciones para cada uno de los altavoces del grupo mediante la APP para que reproduzcan el audio derecho (R), izquierdo (L) o funcionen con normalidad en estéreo (LR) o modificar su volumen de forma global o independiente. Si la red tiene acceso a internet todos los servicios en la APP estarán disponibles.

Desde la APP elija cual de los altavoces será el principal y pulsando su botón  que aparece en la APP en la esquina superior derecha de este altavoz; después la APP le permitirá seleccionar los altavoces secundarios. Por último, seleccione el audio a reproducir y ajustes de volumen que desee. Para más información descargue la guía de uso de la APP en nuestra página WEB: [fonestar.com/KS-08WIFI](http://fonestar.com/KS-08WIFI).

**NOTA:** para facilitar la configuración inicial cuando configure la red Wi-Fi se recomienda hacerlo uno a uno, es decir, tener encendido solo el que vaya a configurar y apagar el resto.

- c.- **PUNTO DE ACCESO:** el smartphone se conecta a la red Wi-Fi del altavoz. Si conecta previamente el altavoz a una red local con internet (mediante Wi-Fi o cable), todos los servicios de radio online, Spotify online, etc. estarán disponibles.

Para utilizar este modo, abra la configuración de redes Wi-Fi en su dispositivo móvil y conéctese a la red Wi-Fi del altavoz KS-08WIFI\_xxxx. Por último, abra la APP, seleccione el audio a reproducir y ajustes de volumen que desee.

- NOTAS DE CONEXIÓN MEDIANTE Wi-Fi:

**IMPORTANTE:** mantener el smartphone y el altavoz cerca del router.

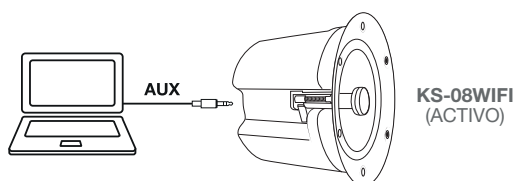
**NOTA:** para facilitar la configuración de la red Wi-Fi por primera vez de varios altavoces, se recomienda hacerlo uno a uno, es decir, tener encendido solo el que vaya a configurar y apagar el resto. Además, es recomendable colocar altavoz y router próximos.

**NOTA:** si la red del altavoz KS-08WIFI\_xxx no aparece como red disponible de la configuración Wi-Fi de su smartphone pulse 3 segundos el botón WPS. La locución dirá "ENTERING SETUP MODE, FOLLOW THE INSTRUCCIONES IN THE APP TO FINISH THE SETUP" (ENTRANDO EN MODO DE CONFIGURACIÓN, SIGA LAS INSTRUCCIONES EN LA APP PARA TERMINAR LA CONFIGURACIÓN).

**NOTA:** si el altavoz no aparece en la APP, vuelve a iniciar la APP o desconecte y vuelva a conectar el smartphone a la red Wi-Fi.

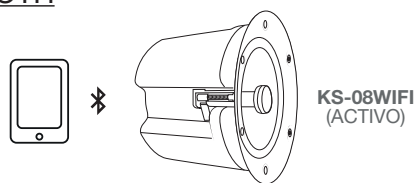
- 1.- Con su smartphone conectado a la red mediante Wi-Fi, encienda el altavoz y abra la APP en su smartphone.
- 2.- Si es la primera vez, no encontrará el altavoz y deberá realizar la configuración de la red en el altavoz. La configuración por primera vez requiere de varios pasos que detallamos en la guía de la APP. Para más información, descargue la guía de uso de la APP en nuestra página WEB: [fonestar.com/KS-08WIFI](http://fonestar.com/KS-08WIFI).
- 3.- La APP buscará dispositivos compatibles conectados a la misma red y, si ya lo ha conectado con anterioridad el altavoz aparecerá directamente, tras unos instantes, la locución dirá CONNECTED TO YOUR Wi-Fi NETWORK (CONECTADO A SU RED Wi-Fi).

#### MODOS DE FUNCIONAMIENTO: AUX IN



- Conecte una señal auxiliar (PC, mesa de mezclas, televisor, etc.) en el conector AUX IN del panel posterior del altavoz y seleccione el modo AUX pulsando MODE o a través de la APP, si el altavoz ha sido conectado a red Wi-Fi previamente. La locución dirá A-U-X MODE.
- Seleccione la música en su reproductor externo e inicie la reproducción.

## MODOS DE FUNCIONAMIENTO: BLUETOOTH



- Seleccione el modo BLUETOOTH en el **KS-08WIFI** pulsando el botón MODE del altavoz activo o del mando a distancia, o a través de la APP, si el altavoz ha sido conectado a red Wi-Fi previamente. La locución dirá BLUETOOTH MODE.
- Abra la pantalla de configuración de Bluetooth de su smartphone o tablet para vincular el **KS-08WIFI**.
- Busque y seleccione el dispositivo KS-08WIFI y vincúlese a él. Se reproducirá un sonido de verificación.  
**NOTA:** este amplificador recuerda el último dispositivo conectado. Por lo que, si es el mismo dispositivo, no necesitará realizar este el proceso de vinculación.
- Seleccione la música en su smartphone/tablet e inicie la reproducción.
- Asegúrese de que su smartphone/tablet tiene un volumen suficiente para poder ser escuchado a través de los altavoces. De este modo, podrá controlar el volumen desde la APP o el mando a distancia sin tener que manipular ningún otro equipo.

## CONEXIÓN

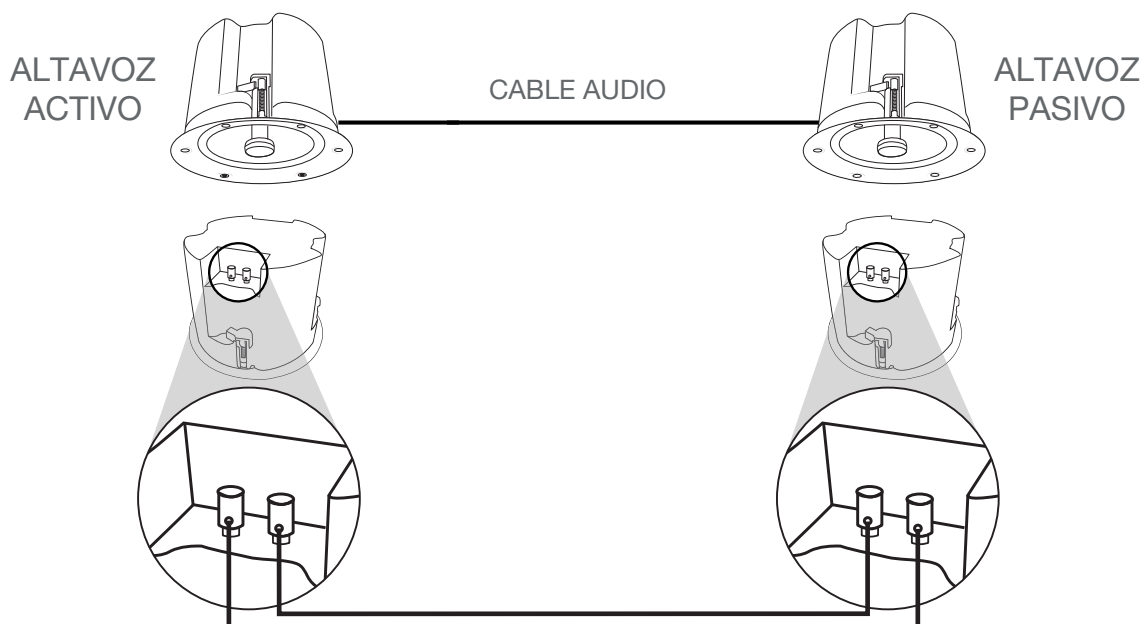
- Conecte los altavoces activo y pasivo con un cable de altavoces. Conecte la salida R SPEAKER OUT del altavoz activo a la entrada SPEAKER IN del altavoz pasivo.
- Opcional: conecte un cable de audio a la entrada AUX IN.
- Conecte el adaptador de corriente primero al altavoz y, por último, a la alimentación.

## INSTALACIÓN

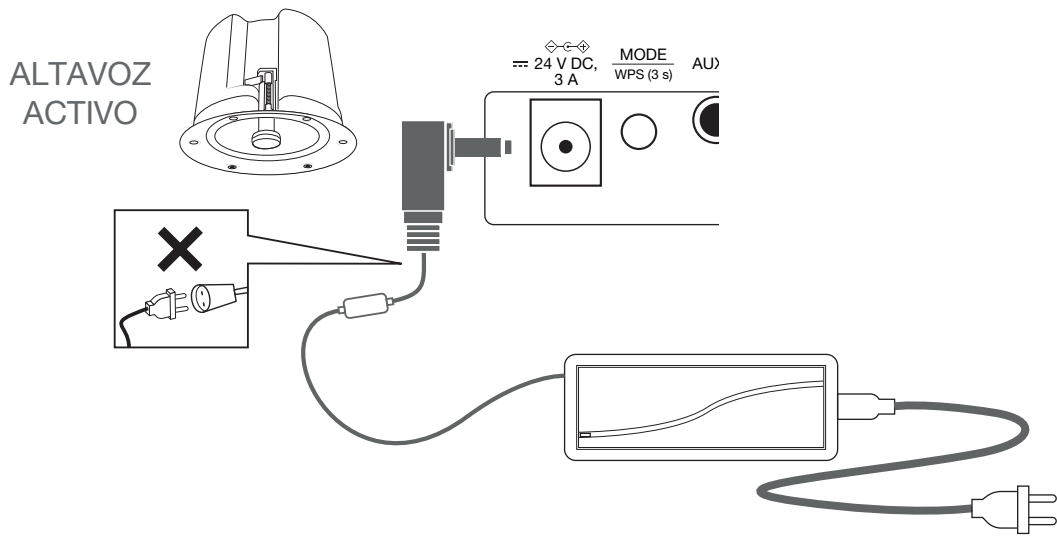
1



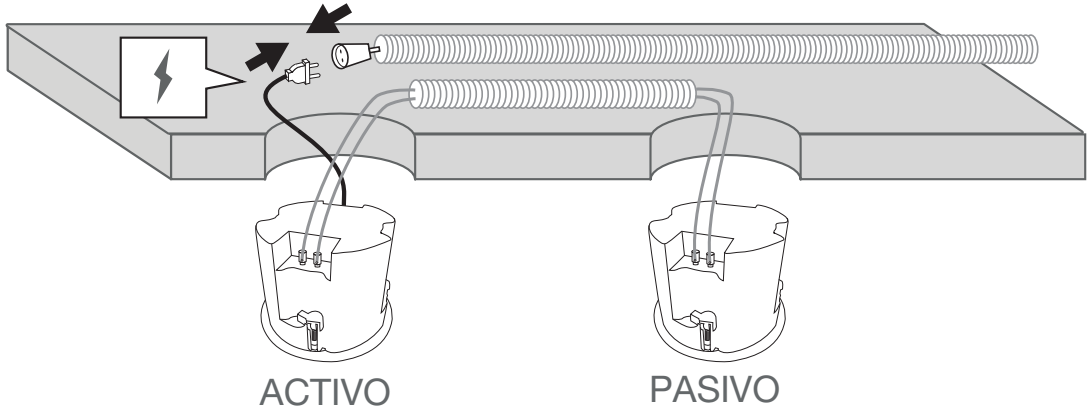
2



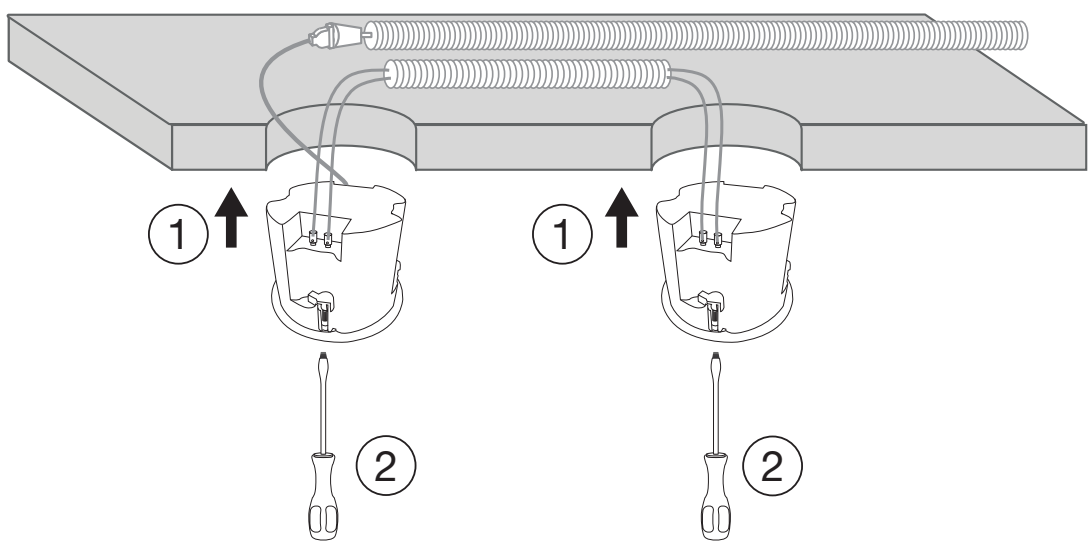
3

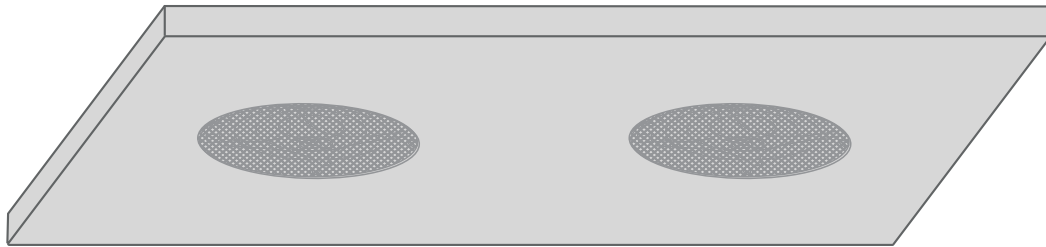
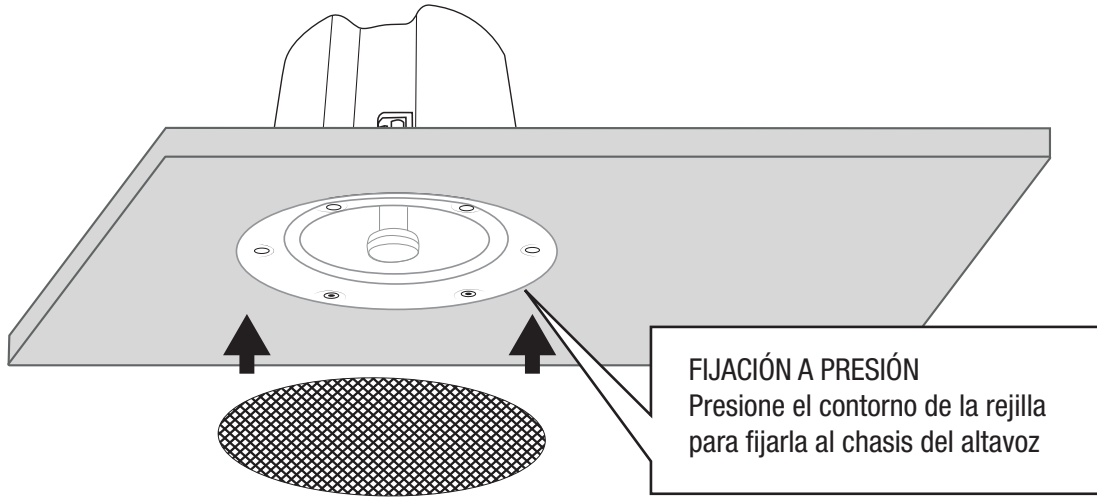


4



5





Wi-Fi ID: KS-08WIFI\_XXXX

Descargue la APP gratuita  
WiiM - Legacy Player





## ESPECIFICACIONES TÉCNICAS

KS-08WIFI	
<b>CARACTERÍSTICAS</b>	<p>Pareja de altavoces de techo Wi-Fi y Bluetooth.            Altavoz activo con amplificador y salida para altavoz pasivo.            Reproduce música desde tu smartphone, tablet, Windows o Mac (compatible con DLNA y Airplay).            App para control desde smartphones y tablets (iOS y Android), que permite conectar con servicios de música online y radio internet.            Receptor Bluetooth.            Entrada de línea.            Función multiroom (ver NOTA).            Rejilla sin marco y bajo perfil.            Mando a distancia.</p>
<b>BLUETOOTH</b>	<p>Bluetooth 5.0            Distancia de transmisión 10 m</p>
<b>AMPLIFICADOR</b>	2 x 25 W RMS
<b>ALTAVOCES</b>	Coaxial: woofer 6½", kevlar y tweeter 1" (activo y pasivo) @ 8 Ω
<b>RESPUESTA</b>	80-20.000 Hz
<b>ENTRADAS</b>	<p>1 auxiliar estéreo, jack 3'5 mm, 1 V RMS            1 RJ-45 Ethernet (conexión de datos Ethernet)</p>
<b>SENSIBILIDAD</b>	89 dB @ 1 W/1 m
<b>RELACION SEÑAL/RUIDO</b>	≤ 92 dB
<b>MATERIALES</b>	<p>Envolvente ABS            Rejilla redonda de sin marco</p>
<b>ALIMENTACIÓN</b>	24 V CC, 3 A con adaptador incluido
<b>MEDIDAS</b>	<p>Altavoces:            230 mm Ø x 160 mm fondo            Orificio de corte: 203 mm Ø</p>
<b>ACCESORIOS</b>	<p>Cable altavoz 5 m            Mando a distancia            Pilas para el mando a distancia</p>
<b>NOTA</b>	<p>El modo multiroom permite que varios altavoces reproduzcan el mismo audio de forma simultánea agrupándolos fácilmente desde la APP. Uno de los altavoces será el principal y a él se unirá el resto del grupo</p> <p>Todos los altavoces secundarios deben conectarse al altavoz principal a través del mismo medio: Wi-Fi (prioritario si algún altavoz está conectado a la red Wi-Fi) o con cable de datos Ethernet (si ningún altavoz está conectado a WiFi). Mediante Wi-Fi, los altavoces secundarios se conectarán al punto de acceso del altavoz principal, el cual crea una red propia para la función multiroom. Los altavoces secundarios deberán estar dentro del rango de alcance de la red del altavoz principal (5 - 7 m aprox.)</p>

### DECLARACIÓN UE DE CONFORMIDAD SIMPLIFICADA

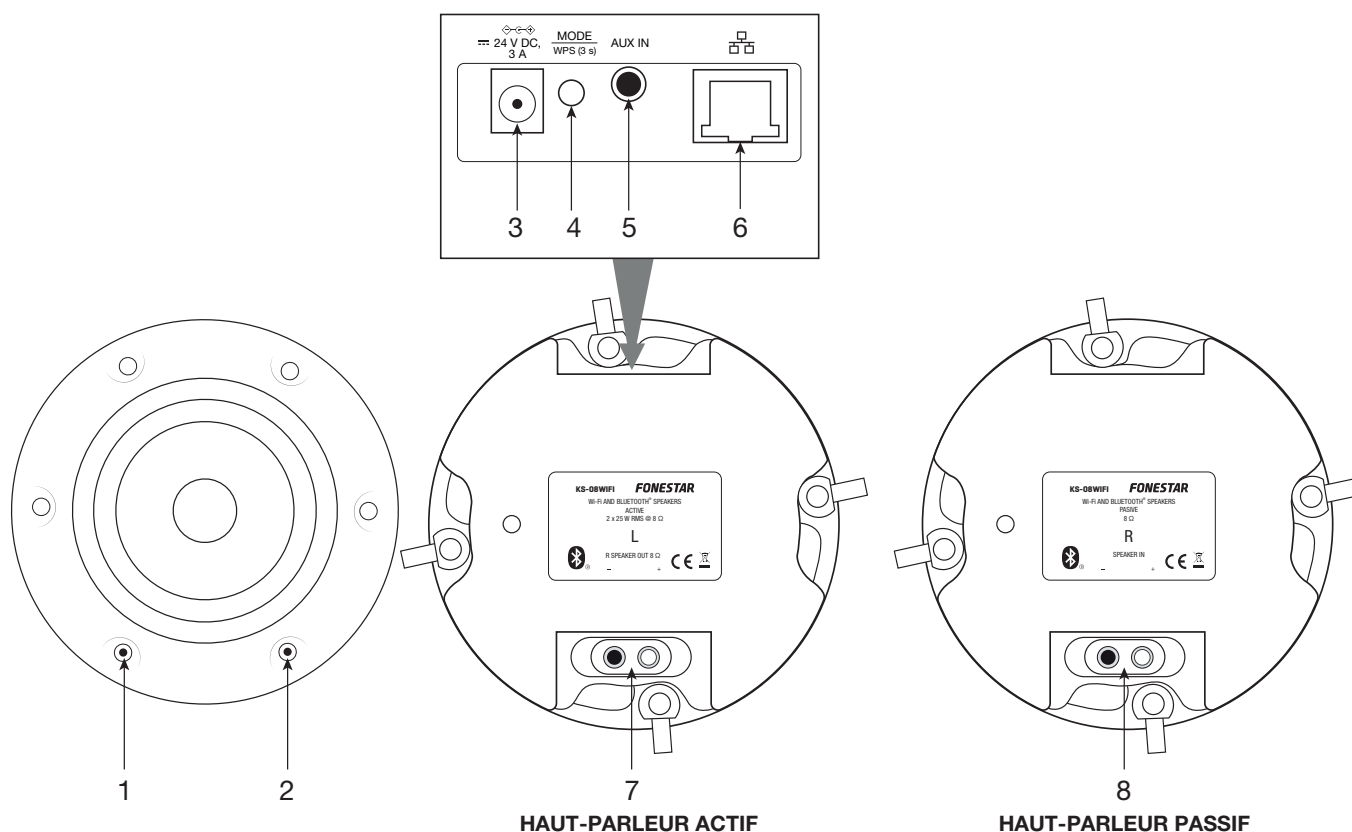
Por la presente, FONESTAR SISTEMAS S.A. declara que el sistema de audio KS-08WIFI es conforme con la Directiva 2014/53/UE.

El texto completo de la declaración UE de conformidad está disponible en la dirección internet siguiente: [fonestar.com/KS-08WIFI](http://fonestar.com/KS-08WIFI)


## DESCRIPTION

- Kit de son idéal pour les bureaux ou la maison, dans les pièces de taille moyenne, les cuisines, etc., composé d'un haut-parleur actif et d'un haut-parleur passif. L'amplificateur de classe D offre une fiabilité et une qualité sonore élevées, ainsi qu'une grande efficacité. Les haut-parleurs sont coaxiaux avec un woofer de 6 ½" et un tweeter de 1".
- Il permet d'écouter de la musique à partir de votre smartphone, tablette, Windows ou Mac. Vous pouvez diffuser de la musique directement via Bluetooth ou via Wi-Fi grâce à l'application pour smartphones et tablettes (iOS et Android) qui permet de contrôler et de diffuser du contenu musical. Il peut se connecter à des services de musique en ligne et à la radio Internet, permet d'écouter de la musique tout en recevant des appels ou en utilisant le smartphone pour d'autres applications sans que le son ou les notifications ne soient diffusés sur les haut-parleurs. Il peut envoyer le même programme musical à plusieurs haut-parleurs en même temps en mode multiroom, ou diffuser des programmes musicaux différents sur chaque haut-parleur. Vous pouvez sélectionner un volume différent pour chaque haut-parleur et personnaliser son nom, entre autres options.
- En plus du récepteur Bluetooth et Wi-Fi, il y a une entrée auxiliaire pour connecter une autre source sonore.
- Cette superbe paire de haut-parleurs se compose d'un haut-parleur actif avec récepteur et amplificateur, et d'un haut-parleur passif.
- Kit de son idéal pour les installations audio domestiques et professionnelles (bureaux et maison, pièces de taille moyenne, cuisines, salles d'attente, cliniques, etc.).





## CONTRÔLES ET FONCTIONS

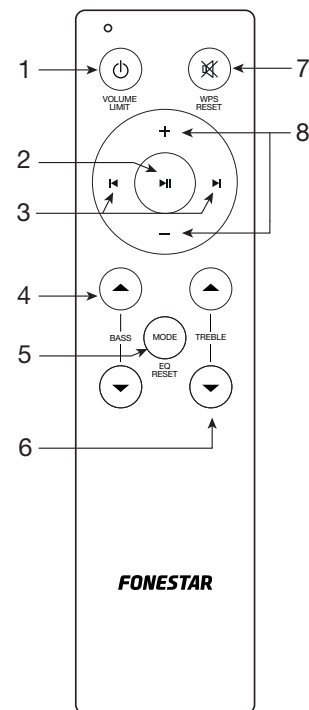


- 1.- Récepteur IR pour la télécommande.
- 2.- Indicateur lumineux de mise en marche du haut-parleur. S'allume en vert lorsqu'il est connecté à l'alimentation électrique.
- 3.- Prise AC pour la connexion de l'adaptateur électrique fourni.
- 4.- **MODE/ WPS (3 s)** : bouton pour passer d'un mode de lecture à l'autre : lecture Wi-Fi, entrée auxiliaire et lecture Bluetooth. Appuyez 5 secondes pour lancer le processus de configuration du réseau Wi-Fi, s'il n'a pas été lancé automatiquement.

- 5.- **AUX IN** : entrée auxiliaire stéréo, connecteur jack 3' 5 mm stéréo.
- 6.-  : entrée ethernet pour la connexion à un routeur, connecteur RJ-45.  
**N.B.** : le haut-parleur doit être connecté au réseau Wi-Fi pour pouvoir contrôler l'APP et utiliser le mode Wi-Fi. La connexion au réseau filaire ne peut pas fonctionner sans connexion Wi-Fi.
- 7.- **R SPEAKER OUT 8 Ω** : sortie pour la connexion d'un haut-parleur passif de 8 Ω, bornes à pression.
- 8.- **SPEAKER IN** : entrée pour la connexion d'un haut-parleur actif, bornes à pression.

## TÉLÉCOMMANDE

- 1.- /**VOLUME LIMIT** : bouton de mise en marche/StandBy. Une pression longue sur ce bouton permet de modifier la limite de volume entre 100 % et 50 %.
- 2.-  : en mode Wi-Fi et Bluetooth, permet de démarrer et de mettre en pause la lecture. En mode AUX : active/désactive la sortie audio.
- 3.-  : contrôles de volume.
- 4.- **BASS** : renforce/atténue les fréquences graves.
- 5.- **MODE/EQ RESET** : appuyez successivement sur ce bouton pour passer d'un mode à l'autre : Wi-Fi, AUX IN et Bluetooth. Une pression longue sur ce bouton réinitialise les valeurs de volume et d'égalisation (graves et aigus).
- 6.- **TREBLE** : renforce/atténue les fréquences aigus.
- 7.- /**WPS RESET** : active/désactive la sortie audio. Une pression longue sur ce bouton remet l'appareil aux valeurs d'origine.
- 8.- **+/-** : en mode Wi-Fi et Bluetooth, une courte pression sur ces boutons permet de sélectionner le morceau précédent/suivant le morceau en cours de lecture.



## INSTRUCTIONS D'USAGE

APP DE CONTROL WiiM - Legacy Player.

- L'APP de contrôle vous permet de configurer l'enceinte au réseau, de créer des groupes d'enceintes, de contrôler le volume de chacune d'elles, etc.
- La fonction principale est de sélectionner la source audio à lire. Cet APP vous permet de choisir entre la radio en ligne, l'accès à Spotify (compatible Premium), la musique stockée sur le dispositif mobile lui-même et même les entrées intégrées à l'enceinte (AUX IN).
- Si vous connectez plusieurs appareils, vous pouvez réaliser des scénarios multi-room et les contrôler tous en même temps, ou séparément et diffuser des programmes musicaux différents sur chacun d'eux.
- Pour plus d'informations sur le fonctionnement de l'APP, consultez le guide à l'adresse suivante : [fonestar.com/KS-08WIFI](http://fonestar.com/KS-08WIFI).

Scannez le code QR pour télécharger l'APP.

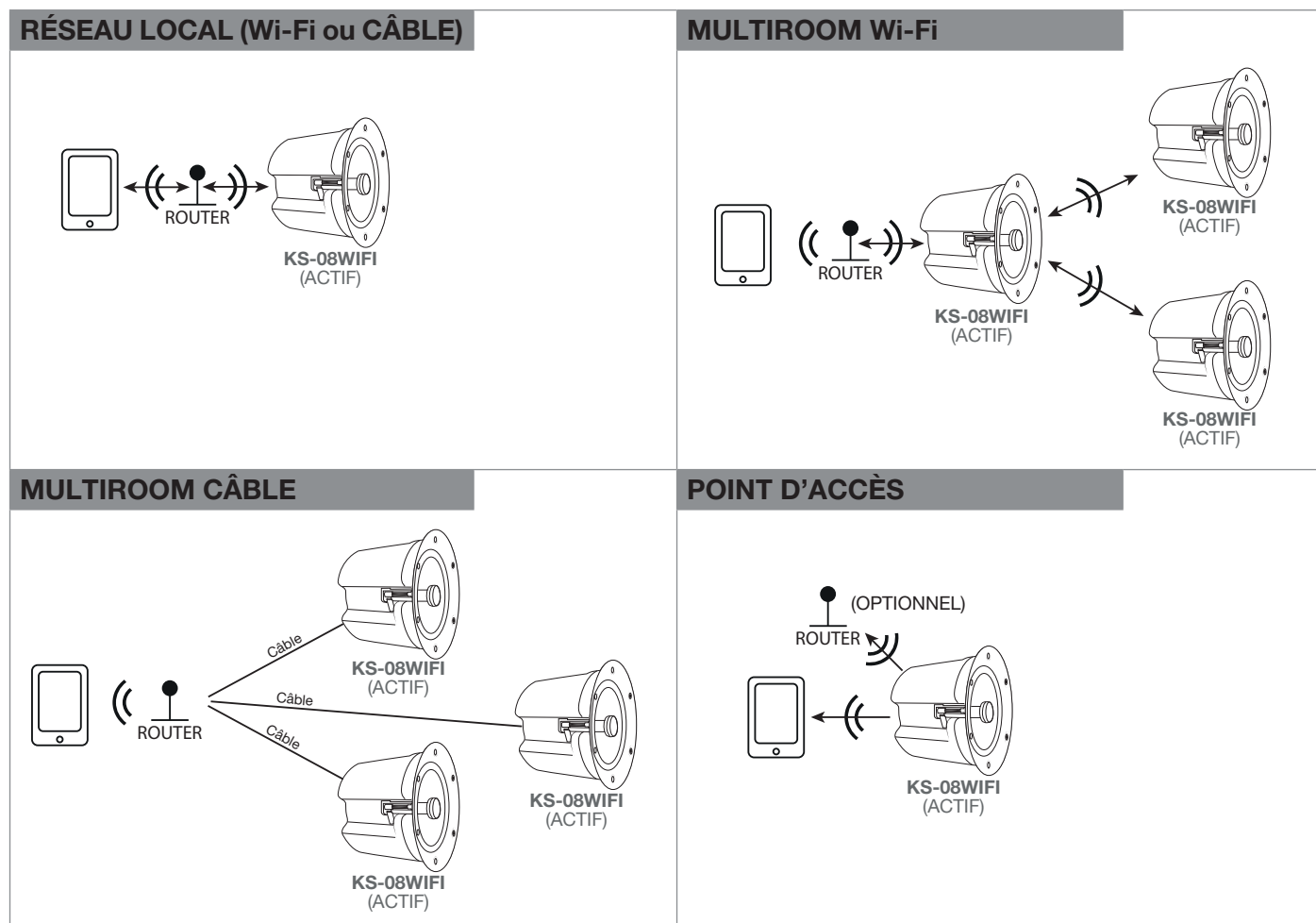



ANDROID



IOS

**N.B.** : L'APP peut être modifiée ou mise à jour. Si vous avez besoin de plus d'informations, veuillez consulter notre site web ou nous contacter via notre site web.




- Sélectionnez le mode Wi-Fi sur le **KS-08WIFI** appuyant sur le bouton MODE du haut-parleur actif ou de la télécommande, ou via la APP. La voix off dira Wi-Fi MODE. Le haut-parleur peut être connecté au réseau via un signal Wi-Fi ou via un câble se connectant au port .

**N.B.** : l'appareil essaiera toujours de se connecter en premier via le réseau Wi-Fi.

- Ce mode nécessite toujours l'utilisation d'un appareil mobile avec l'APP de contrôle installé.
- Il existe 3 types de connexions : point d'accès, réseau local et multiroom.

**N.B.** : si le routeur auquel vous connectez l'enceinte n'a pas d'accès à Internet, les services de radio en ligne, Spotify online, etc. ne seront pas disponibles et vous ne pourrez envoyer que de l'audio stocké sur votre appareil mobile.

- a.- **RÉSEAU LOCAL** : le smartphone et le haut-parleur sont connectés au même réseau local et communiquent par l'intermédiaire de ce réseau. Si le réseau dispose d'un accès à l'internet, tous les services de l'APP seront disponibles. Il est possible de connecter plusieurs enceintes au même réseau et de les contrôler indépendamment de l'APP. Le haut-parleur peut être connecté au réseau local via un signal Wi-Fi ou via un câble se connectant au port .

Pour utiliser ce mode avec un réseau Wi-Fi, vous devez configurer le réseau Wi-Fi local sur l'enceinte à partir de l'APP. Ouvrez l'application et suivez les instructions. Enfin, sélectionnez les paramètres de lecture audio et de volume souhaités dans l'APP. Pour plus d'informations, téléchargez le guide d'utilisation de l'APP sur notre site Internet : [fonestar.com/KS-08WIFI](http://fonestar.com/KS-08WIFI).


Si vous vous connectez par câble, vous devez connecter le smartphone au réseau Wi-Fi et l'enceinte filaire au routeur. L'APP découvrira l'enceinte sur le même réseau. La connexion Wi-Fi est prioritaire et tentera toujours d'être établie.

- b.- **MULTIROOM** : tous les haut-parleurs d'un même groupe doivent être connectés au réseau local. Si un haut-parleur est connecté au Wi-Fi, la connexion prioritaire sera le Wi-Fi. La connexion Wi-Fi aura toujours la priorité sur la connexion par câble.

- **Wi-Fi** : le smartphone et le haut-parleur (principal) doivent être connectés au même réseau Wi-Fi et communiquer via ce réseau. À leur tour, les autres haut-parleurs (secondaires) se connectent au point d'accès Wi-Fi du haut-parleur principal pour diffuser le même son de manière synchronisée. Par conséquent, ces enceintes dites secondaires ne peuvent pas être placées à une grande distance du haut-parleur principal (maximum 4-5 mètres).

- **CABLE** : le smartphone se connecte par Wi-Fi au routeur et à tous les haut-parleurs par câble. Les haut-parleurs se connectent les uns aux autres via un réseau local câblé au lieu du Wi-Fi, ce qui étend la portée de la fonction "Multiroom".

Une fois les haut-parleurs regroupés, il sera possible d'effectuer différentes configurations pour chacun des haut-parleurs du groupe via l'APP afin qu'ils puissent jouer l'audio droit (R), gauche (L) ou fonctionner normalement en stéréo (LR) ou modifier leur volume de manière globale ou indépendante. Si le réseau dispose d'un accès à l'internet, tous les services de l'APP seront disponibles.

À partir de l'APP, choisissez le haut-parleur principal et appuyez sur le bouton  qui apparaît dans l'APP dans le coin supérieur droit de ce haut-parleur ; l'APP vous permettra ensuite de sélectionner les haut-parleurs secondaires. Enfin, sélectionnez l'audio à lire et les paramètres de volume que vous souhaitez. Pour plus d'informations téléchargez le guide d'utilisation de l'APP sur notre site Internet : [fonestar.com/KS-08WIFI](http://fonestar.com/KS-08WIFI).

**N.B.** : pour faciliter la configuration initiale lors de la mise en place du réseau Wi-Fi, il est recommandé de le faire un par un, c'est-à-dire de n'allumer que celui que l'on va configurer et d'éteindre les autres.

- c.- **POINT D'ACCÈS** : le smartphone se connecte au réseau Wi-Fi du haut-parleur. Si vous avez précédemment connecté le haut-parleur à un réseau local avec Internet (via Wi-Fi ou câble), tous les services de radio en ligne, Spotify en ligne, etc. seront disponibles.

Pour utiliser ce mode, ouvrez les paramètres du réseau Wi-Fi sur votre dispositif portable et connectez-vous au réseau Wi-Fi du haut-parleur KS-08WIFI\_xxxx. Enfin, ouvrez l'APP, sélectionnez l'audio à lire et les paramètres de volume que vous souhaitez.

- INFOS DE CONNEXION PAR Wi-Fi :

**IMPORTANT** : garder le smartphone et le haut-parleur à proximité du routeur.

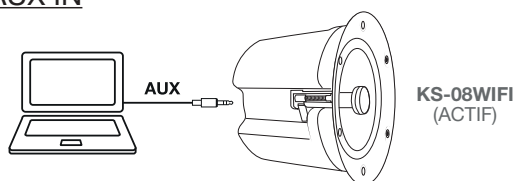
**N.B.** : pour faciliter la première configuration du réseau Wi-Fi pour plusieurs haut-parleurs, il est recommandé de le faire un par un, c'est-à-dire de n'allumer que celui que vous allez configurer et d'éteindre les autres. De plus, il est conseillé de placer le haut-parleur et le routeur à proximité l'un de l'autre.

**N.B.** : si le réseau du haut-parleur KS-08WIFI\_xxx n'apparaît pas comme un réseau disponible dans les paramètres Wi-Fi de votre smartphone, appuyez sur le bouton WPS pendant 3 secondes. La voix off dira "ENTERING SETUP MODE, FOLLOW THE INSTRUCTIONS IN THE APP TO FINISH THE SETUP" (EN ENTRANT DANS LE MODE DE CONFIGURATION, SUIVEZ LES INSTRUCTIONS DE L'APP POUR TERMINER LA CONFIGURATION).

**N.B.** : si le haut-parleur n'apparaît pas dans l'APP, redémarrez l'APP ou déconnectez et reconnectez le smartphone au réseau Wi-Fi.

- 1.- Avec votre smartphone connecté au réseau via Wi-Fi, allumez le haut-parleur et ouvrez l'APP sur votre smartphone.
- 2.- Si c'est la première fois, vous ne trouverez pas le haut-parleur et vous devrez configurer les paramètres réseau sur le haut-parleur. La configuration pour la première fois nécessite plusieurs étapes que nous détaillons dans le guide APP. Pour plus d'informations, téléchargez le guide d'utilisation de l'APP sur notre site Internet : [fonestar.com/KS-08WIFI](http://fonestar.com/KS-08WIFI).
- 3.- L'APP recherchera les appareils compatibles connectés au même réseau et, si vous l'avez déjà connecté auparavant, le haut-parleur apparaîtra directement, après quelques instants, la voix off dira CONNECTED TO YOUR Wi-Fi NETWORK (Connecté à votre réseau Wi-Fi).

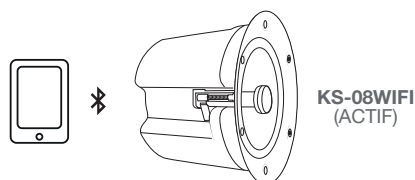
#### MODES DE FONCTIONNEMENT : AUX IN



Connectez un signal auxiliaire (PC, table de mixage, TV, etc.) au connecteur AUX IN situé sur le panneau arrière du haut-parleur et sélectionnez le mode AUX en appuyant sur MODE ou via l'APP, si le haut-parleur a été préalablement connecté à un réseau Wi-Fi. La voix off dira A-U-X MODE.

- Sélectionnez la musique sur votre lecteur externe et lancez la lecture.

## MODES DE FONCTIONNEMENT : BLUETOOTH



n MODE du haut-parleur actif ou de la télécommande, ou via la APP, si le haut-parleur a été préalablement connecté à un réseau Wi-Fi. La voix off indiquera BLUETOOTH MODE.

- Ouvrez l'écran des paramètres Bluetooth sur votre smartphone ou votre tablette pour coupler le périphérique Bluetooth avec l'appareil KS-08WIFI.
- Recherchez et sélectionnez le dispositif KS-08WIFI et créez un lien vers celui-ci. Un son de vérification sera émis.

**N.B.** : cet amplificateur se souvient du dernier appareil connecté. Par conséquent, s'il s'agit du même appareil, vous n'aurez pas besoin d'effectuer ce processus d'appairage.

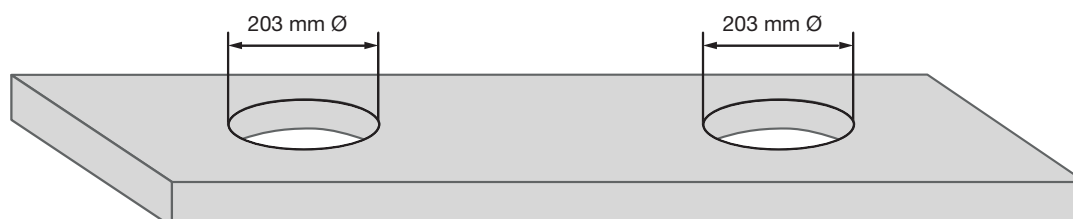
- Sélectionnez la musique sur votre smartphone/tablette et lancez la lecture.
- Assurez-vous que votre smartphone/tablette est un volume suffisamment fort pour être écouté dans les haut-parleurs. Cela vous permet de contrôler le volume à partir de l'APP ou de la télécommande sans avoir à manipuler d'autres appareils.

## CONNEXION

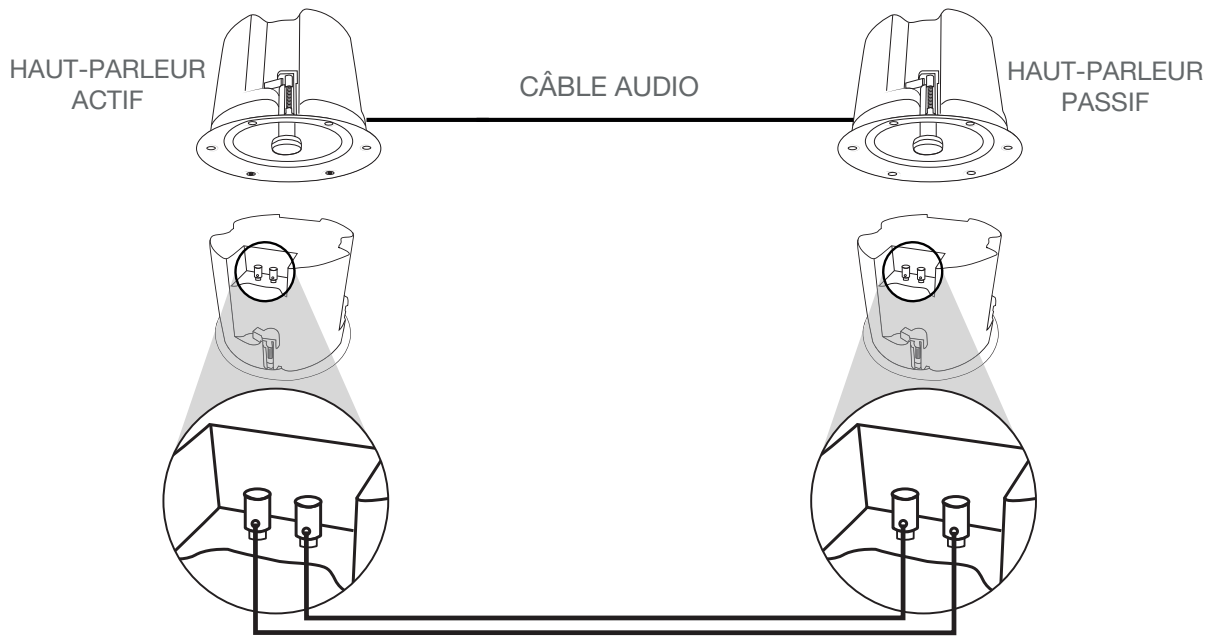
- Connectez les haut-parleurs actif et passif avec un câble de haut-parleur. Connectez la sortie R SPEAKER OUT du haut-parleur actif à l'entrée SPEAKER IN du haut-parleur passif.
- En option : connectez un câble audio à l'entrée AUX IN.
- Connectez l'adaptateur d'alimentation d'abord au haut-parleur, puis à la source d'alimentation.

## INSTALLATION

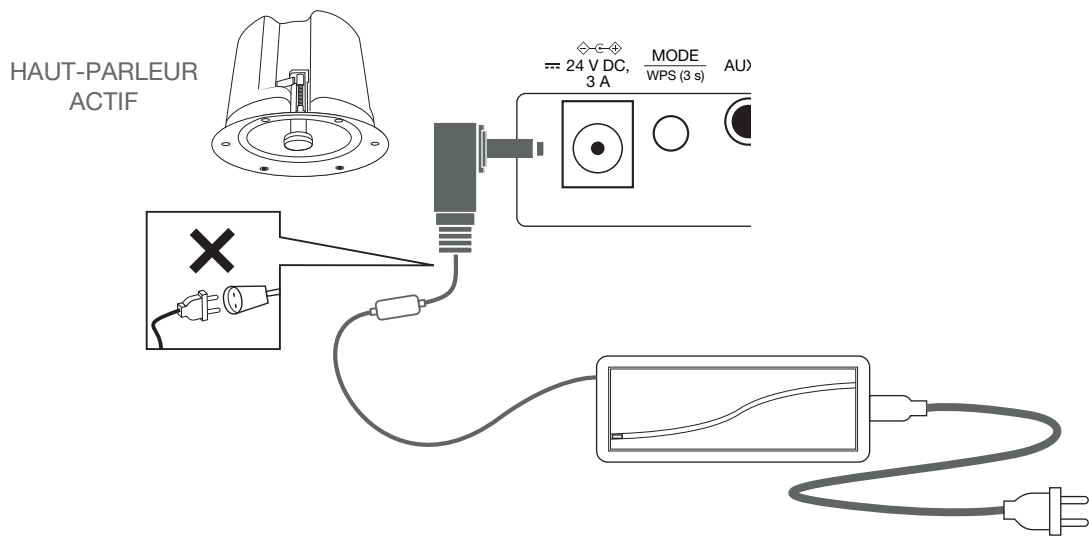
1



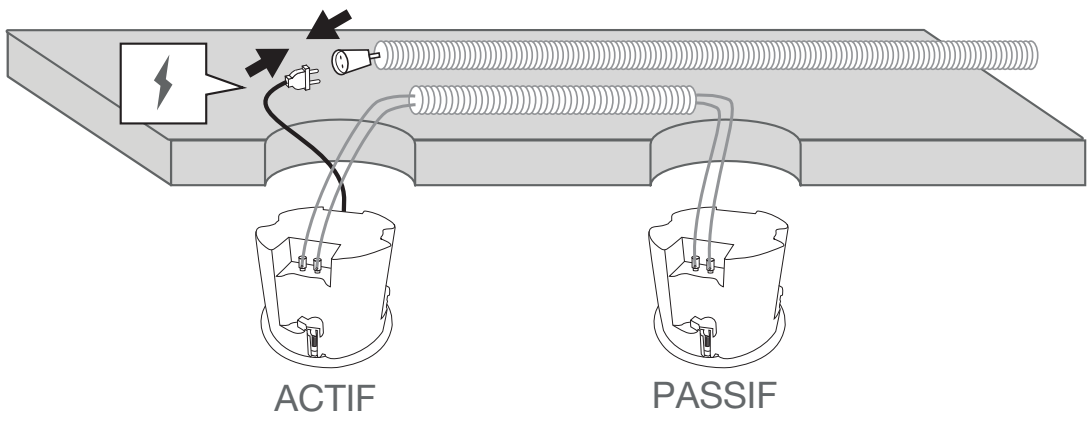
2

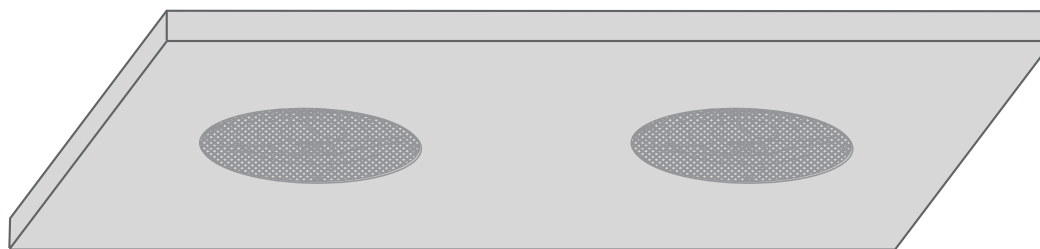
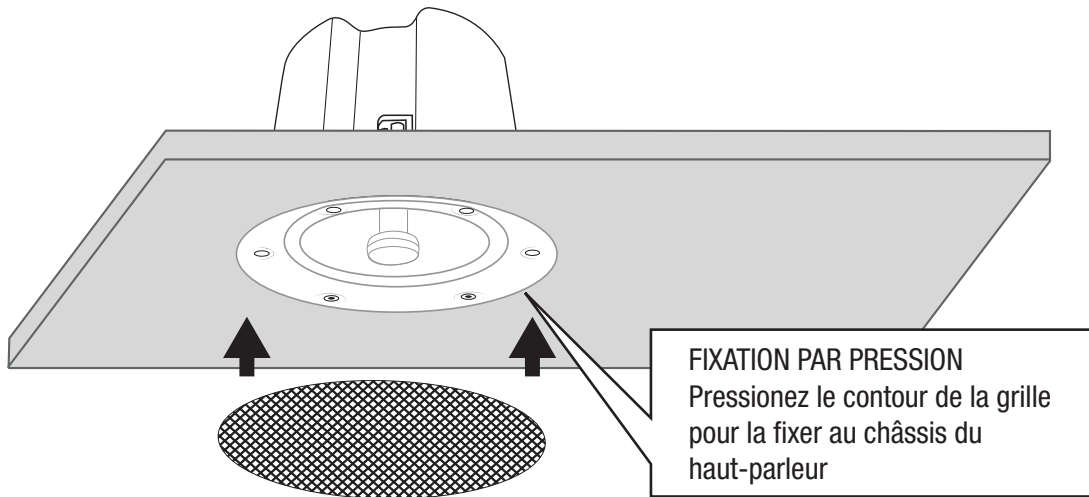
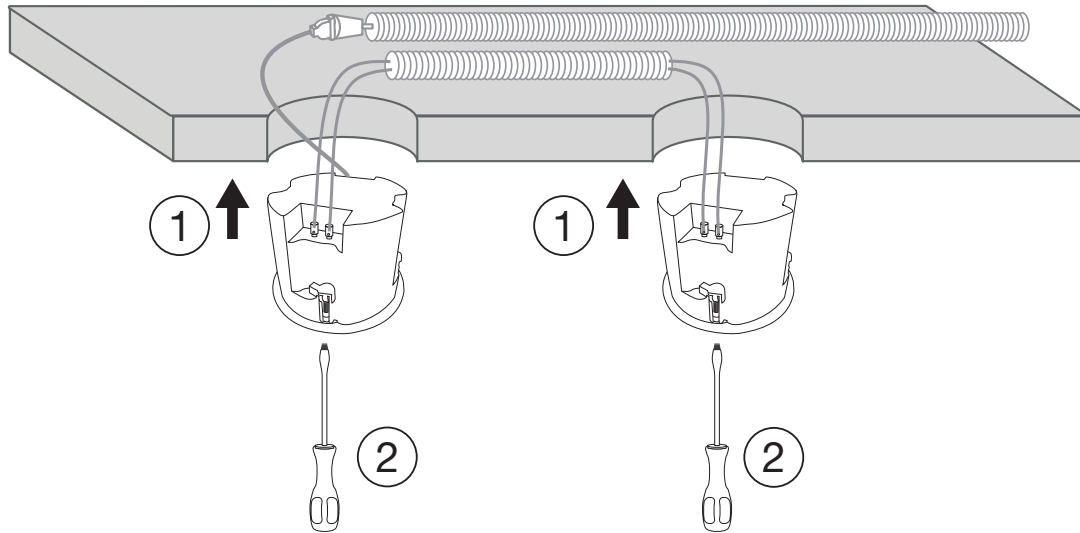


3



4





Téléchargez l'APP gratuit  
WiiM - Legacy Player



Wi-Fi ID: KS-08WIFI\_XXXX



## SPÉCIFICATIONS TECHNIQUES

	<b>KS-08WIFI</b>
<b>CARACTÉRISTIQUES</b>	<p>Paire de haut-parleurs de plafond Wi-Fi et Bluetooth.            Haut-parleur actif avec amplificateur et sortie de haut-parleur passif.            Reproduit la musique depuis votre smartphone, votre tablette, Windows ou Mac (compatible DLNA et Airplay).            App pour le contrôle depuis les smartphones et les tablettes (iOS et Android), la connexion aux services de musique en ligne et à la radio internet.            Récepteur Bluetooth.            Entrée de ligne.            Fonction multiroom (voir N.B.).            Grille sans cadre et à profil bas.            Télécommande.</p>
<b>BLUETOOTH</b>	<p>Bluetooth 5.0            Distance de transmission 10 m</p>
<b>AMPLIFICATEUR</b>	2 x 25 W RMS
<b>HAUT-PARLEURS</b>	Coaxial : woofer 6 ½", kevlar et tweeter 1" (actif et passif) @ 8 Ω
<b>RÉPONSE</b>	80-20.000 Hz
<b>ENTRÉES</b>	<p>1 auxiliaire stéréo, jack 3,5 mm, 1 V RMS            1 RJ-45 Ethernet (connexion de données Ethernet)</p>
<b>SENSIBILITE</b>	89 dB @ 1 W/1 m
<b>RAPPORT SIGNAL/BRUIT</b>	≤ 92 dB
<b>MATERIAUX</b>	<p>Boîtier en ABS            Grille ronde sans cadre</p>
<b>ALIMENTATION</b>	24 V CC, 3 A avec adaptateur inclus
<b>DIMENSIONS</b>	<p>Haut-parleurs :            230 mm Ø x 160 mm profondeur            Orifice de coupure : 203 mm Ø</p>
<b>ACCESSOIRES</b>	<p>Câble haut-parleur 5 m            Télécommande            Piles pour la télécommande</p>
<b>N.B.</b>	<p>Le mode multiroom permet à plusieurs haut-parleurs de diffuser le même son simultanément en les regroupant facilement à partir de l'APP. L'un des haut-parleurs sera le haut-parleur principal et sera rejoint par le reste du groupe</p> <p>Tous les haut-parleurs secondaires doivent être connectés au haut-parleur principal par le même moyen : Wi-Fi (priorité si l'un des haut-parleurs est connecté au réseau Wi-Fi) ou avec un câble de données Ethernet (si aucun haut-parleur n'est connecté au réseau Wi-Fi). En utilisant le Wi-Fi, les haut-parleurs secondaires se connectent au point d'accès du haut-parleur principal, qui crée son propre réseau pour la fonction multiroom. Les haut-parleurs secondaires doivent être à portée du réseau du haut-parleur principal (environ 5 à 7 m)</p>

### DÉCLARATION UE DE CONFORMITÉ SIMPLIFIÉE

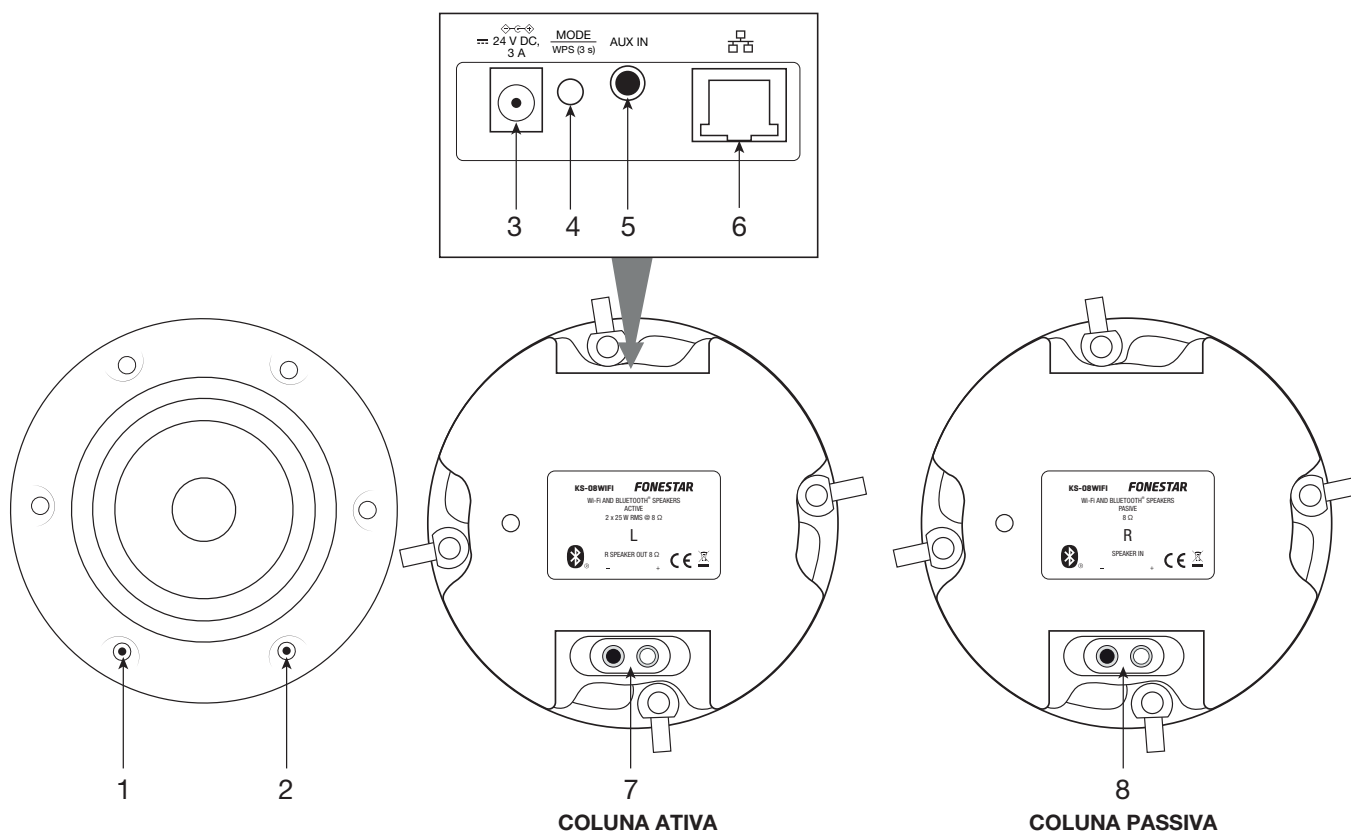
FONESTAR SISTEMAS S.A. déclare que le système de son KS-08WIFI est conforme à la Directive 2014/53/UE.

Le texte complet de la déclaration UE de conformité est disponible à l'adresse internet suivante [fonestar.com/KS-08WIFI](http://fonestar.com/KS-08WIFI)

## DESCRIÇÃO

- Kit de som ideal para escritórios ou lar, em divisões de dimensão média, cozinhas, etc. composto por coluna ativa e coluna passiva. O amplificador Classe D oferece uma grande fiabilidade e qualidade de som, com alta eficiência. As colunas são coaxiais com woofer de 6½” e tweeter de 1”.
- Reproduz música a partir do seu smartphone, tablet, Windows ou Mac. Pode transmitir música diretamente por Bluetooth ou por Wi-Fi com App para smartphones e tablets (iOS e Android) que permite controlar e transmitir conteúdos musicais. Pode ligar com serviços de música online e rádio internet, permitindo reproduzir música enquanto recebe chamadas ou durante a utilização do smartphone para outras aplicações sem serem reproduzidos sons nem notificações nas colunas. Pode enviar o mesmo programa musical a várias colunas ao mesmo tempo em modo multiroom, ou reproduzir diferentes programas musicais em cada uma delas. Pode também selecionar um volume diferente em cada coluna e personalizar o seu nome, entre outras opções.
- Além do recetor Bluetooth e Wi-Fi, tem ainda entrada auxiliar para ligar outra fonte de som.
- Este fantástico par de colunas é composto por uma coluna ativa com o recetor e amplificador, e outra coluna passiva.
- Kit de som ideal para instalações de áudio domésticas e profissionais (escritórios, divisões de média dimensão, cozinhas, salas de espera, clínicas, etc.).

## CONTROLOS E FUNÇÕES



- 1.- Recetor IR para comando à distância.
- 2.- indicador luminoso de ativação da coluna. Fica verde quando está ligado à alimentação.
- 3.- Tomada CA para ligação do adaptador de corrente fornecido.
- 4.- **MODE/WPS (3 s):** botão que permite alternar o modo de reprodução entre: reprodução em modo Wi-Fi, entrada auxiliar e Bluetooth. Pressione durante 5 segundos para iniciar o processo de configuração da rede Wi-Fi caso não tenha iniciado automaticamente.
- 5.- **AUX IN:** entrada auxiliar estéreo, conector jack 3,5 mm estéreo.





6.- : entrada ethernet para ligar a um router, conetor RJ-45.

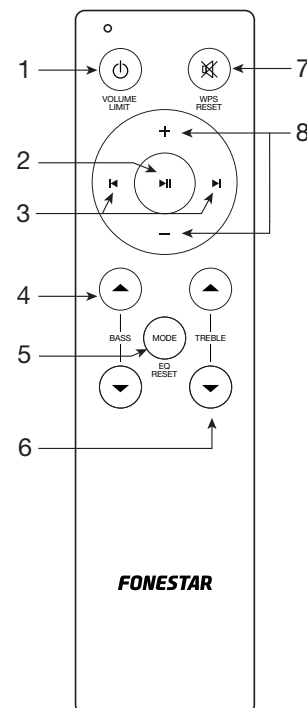
**NOTA:** a coluna deverá estar ligada à rede Wi-Fi para controlo pela APP e uso do modo Wi-Fi A ligação de rede por cabo não poderá funcionar sem ligação Wi-Fi.

7.- **R SPEAKER OUT 8 Ω:** saída para a ligação da coluna passiva de 8 Ω, terminais a pressão.

8.- **SPEAKER IN:** entrada para a ligação com a coluna ativa, terminais a pressão.

## COMANDO À DISTÂNCIA

- 1.- /**VOLUME LIMIT:** botão de ativação/StandBy. Um toque prolongado neste botão altera o limite de volume entre 100% ou 50%.
- 2.- : em modo de Wi-Fi e Bluetooth, permite iniciar/fazer pausa na reprodução. Em modo AUX: ativa/desativa a saída de áudio.
- 3.- : controlos de volume.
- 4.- **BASS:** atenua/reforça as frequências graves.
- 5.- **MODE/EQ RESET:** pressione este botão sucessivamente para ir alternando entre os diferentes modos: Wi-Fi, AUX IN e Bluetooth. Um toque prolongado neste botão repõe os valores de volume e equalização (bass e treble).
- 6.- **TREBLE:** atenua/reforça as frequências agudas.
- 7.- /**WPS RESET:** ativa/desativa a saída de áudio. Um toque prolongado neste botão repõe os valores de origem do equipamento.
- 8.- **+/-:** em modo de Wi-Fi e Bluetooth, um toque rápido nestes botões permite seleccionar a faixa anterior/seguinte à que estiver em reprodução no momento.



## INSTRUÇÕES DE UTILIZAÇÃO

APP DE CONTROLO WIIIM - Legacy Player.

- A APP de controlo permite ligar a coluna à rede, criar grupos de colunas, controlar o volume de cada uma delas, etc.
- A principal função consiste em seleccionar a fonte de áudio a reproduzir. Esta APP permite seleccionar entre rádio online, acesso a Spotify (compatível com Premium), música armazenada no próprio dispositivo móvel e até as entradas integradas na coluna (AUX IN).
- Se ligar vários dispositivos, poderá efetuar cenários multiroom e controlá-los ao mesmo tempo, ou separadamente, podendo reproduzir diferentes programas musicais em cada um deles.
- Para mais informações sobre o funcionamento da APP consulte o manual em: [fonestar.com/KS-08WIFI](http://fonestar.com/KS-08WIFI). Faça scan do código QR para descarregar a APP.



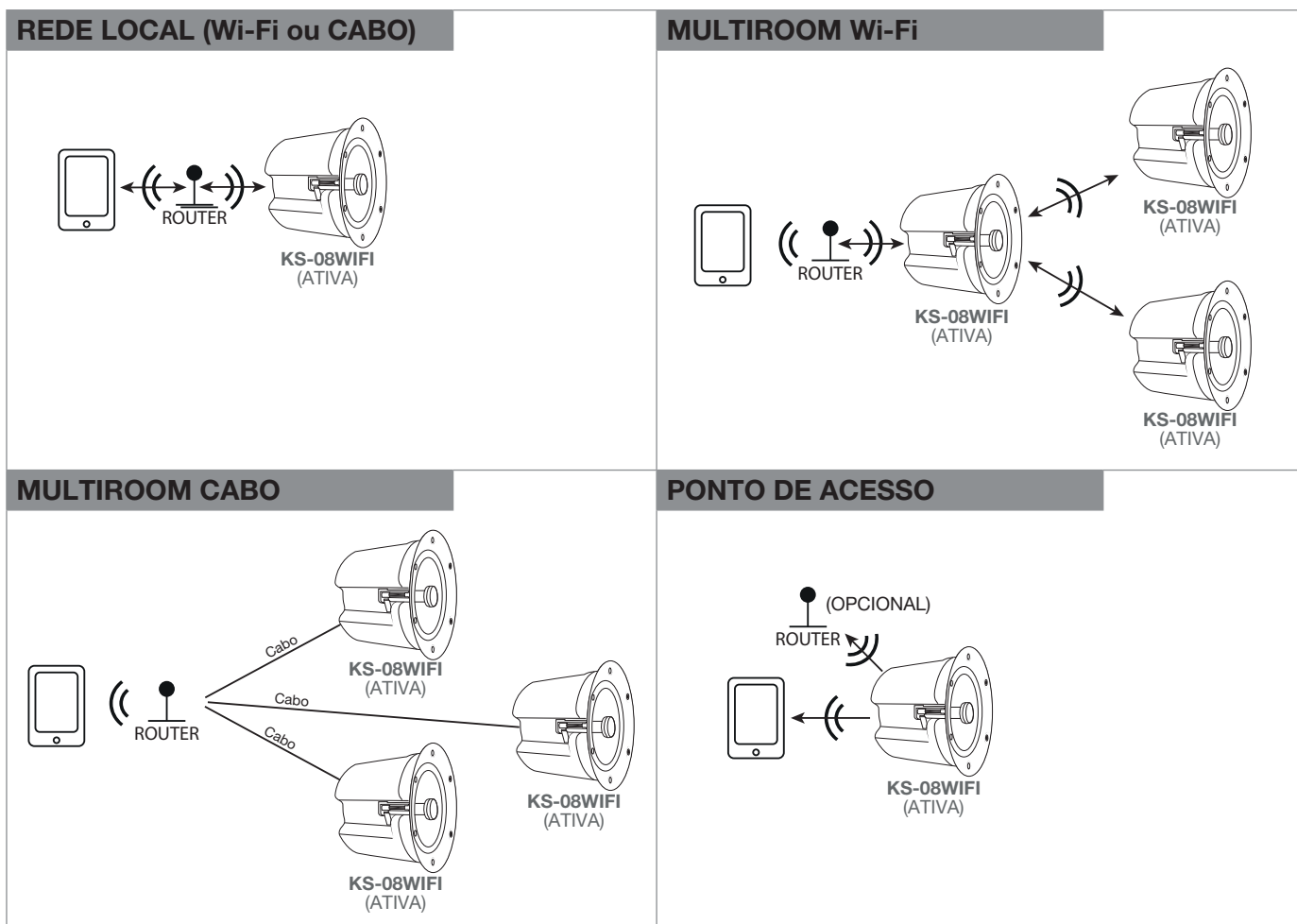
ANDROID




IOS

**NOTA:** a APP pode ser alterada ou atualizada. Caso necessite de mais informação, consulte a nossa página Web ou contacte-nos a partir da mesma.

## MODOS DE FUNCIONAMENTO: Wi-Fi




- Selecione o modo Wi-Fi no **KS-08WIFI** pressionando o botão MODE da coluna ativa ou do comando à distância, ou através da APP. A reprodução dirá Wi-Fi MODE. Pode ligar a coluna à rede de dados através do sinal Wi-Fi ou por cabo ligando-se à porta .

**NOTA:** o equipamento irá sempre tentar ligar-se primeiro através da rede Wi-Fi.

- Este modo exige sempre usar um dispositivo móvel com a APP de controlo instalada.
- Existem 3 tipos de ligações: ponto de acesso, rede local e multiroom.

**NOTA:** se o router ao qual estiver ligada a coluna não tiver acesso à Internet, os serviços de rádio online, Spotify online, etc. não estarão disponíveis e só poderá enviar áudio já armazenado no seu dispositivo móvel.

- a.- **REDE LOCAL:** o smartphone e a coluna irão ligar-se a uma mesma rede local, comunicando entre si através dela. Se a rede tiver acesso à Internet, todos os serviços estarão disponíveis na APP. É possível ligar várias colunas à mesma rede e controlá-las a partir da APP de forma independente. Pode ligar a coluna à rede local através do sinal Wi-Fi ou usando um cabo ligando-se à porta .

Para utilizar este modo com uma rede Wi-Fi, deve configurar a rede Wi-Fi local na coluna a partir da APP. Abra a APP e siga as instruções. Por último, selecione na APP o áudio a reproduzir e as definições de volume desejadas. Para mais informações, descarregue o manual de utilização da APP na nossa página Web: [fonestar.com/KS-08WIFI](http://fonestar.com/KS-08WIFI).


Se optar pela ligação por cabo, deve ligar o smartphone à rede Wi-Fi e a coluna por cabo ao router. A APP irá encontrar a coluna na mesma rede. A ligação Wi-Fi é prioritária e irá sempre tentar ser estabelecida.

- b.- **MULTIROOM:** todas as colunas do mesmo grupo devem ligar-se à rede local. Se uma coluna estiver ligada à Wi-Fi, a ligação prioritária será Wi-Fi. A ligação Wi-Fi terá sempre prioridade sobre a ligação por cabo.

- **Wi-Fi:** o smartphone e a coluna (principal) irão ligar-se a uma mesma rede Wi-Fi, comunicando entre si através dessa mesma rede. Por sua vez, as outras colunas (secundárias), irão ligar-se ao ponto de acesso Wi-Fi da coluna principal para todas reproduzirem o mesmo áudio de forma sincronizada. Como tal, estas colunas denominadas secundárias não podem ser colocadas demasiado longe da coluna principal (máximo 4-5 metros).

- **CABO:** o smartphone liga-se por Wi-Fi ao router e todas as colunas por cabo. As colunas irão ligar-se entre si por rede local de cabo em vez de por Wi-Fi, ampliando o alcance da função “Multiroom”.

Depois de agrupar as colunas, é possível efetuar diferentes configurações para cada uma das colunas do grupo através da APP para que reproduzam o áudio direito (R), esquerdo (L), ou para que funcionem normalmente em estéreo (LR), ou ainda regular o volume de forma global ou independente. Se a rede tiver acesso à Internet, todos os serviços estarão disponíveis na APP.

Na APP, escolha qual das colunas será a principal e pressione o seu botão  que aparece na APP no canto superior direito dessa coluna; depois a APP irá permitir selecionar as colunas secundárias. Por último, selecione o áudio a reproduzir e as definições de volume desejadas. Para mais informações, descarregue o manual de utilização da APP na nossa página Web: [fonestar.com/KS-08WIFI](http://fonestar.com/KS-08WIFI).

**NOTA:** para facilitar a configuração inicial, ao configurar a rede Wi-Fi é recomendado fazê-lo uma coluna de cada vez, ou seja, ter apenas ativa a que estiver a configurar, desligando as restantes.

- c.- **PONTO DE ACESSO:** o smartphone liga-se à rede Wi-Fi emitida pela coluna. Se a coluna já tiver sido previamente ligada a uma rede local com internet (por Wi-Fi ou cabo), todos os serviços de rádio online, Spotify online, etc. estarão disponíveis.

Para utilizar este modo abra a configuração de redes Wi-Fi no seu dispositivo móvel e ligue-se à rede Wi-Fi da coluna KS-08WIFI\_xxxx. Por último, abra a APP, selecione o áudio a reproduzir e as definições de volume desejadas.

#### - NOTAS DE LIGAÇÃO POR WI-FI:

**IMPORTANTE:** manter o smartphone e a coluna próximos do router.

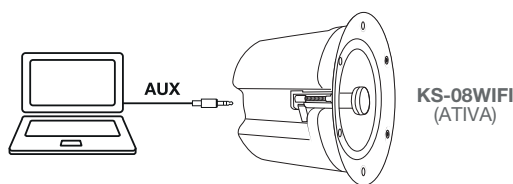
**NOTA:** para facilitar a configuração da rede Wi-Fi pela primeira vez em várias colunas, é recomendado fazê-lo uma a uma, ou seja, ter apenas ativa a que estiver a configurar, desligando as restantes. É igualmente recomendado aproximar a coluna e o router.

**NOTA:** se a rede da coluna KS-08WIFI\_xxx não aparecer como rede disponível da configuração Wi-Fi do seu smartphone, pressione o botão WPS durante 3 segundos. A reprodução dirá “ENTERING SETUP MODE, FOLLOW THE INSTRUCTIONS IN THE APP TO FINISH THE SETUP” (A ENTRAR EM MODO DE CONFIGURAÇÃO, SIGA AS INSTRUÇÕES NA APP PARA TERMINAR A CONFIGURAÇÃO).

**NOTA:** se a coluna não aparecer na APP, reinicie a APP ou desligue e volte a ligar o smartphone à rede Wi-Fi.

- 1.- Com o seu smartphone ligado à rede por Wi-Fi, ative a coluna e abra a APP no seu smartphone.
- 2.- Se for a primeira vez, não irá encontrar a nossa coluna e deve efetuar a configuração da rede na coluna. O processo de configuração pela primeira vez exige vários passos, detalhados no manual da APP. Para mais informações, descarregue o manual de utilização da APP na nossa página Web: [fonestar.com/KS-08WIFI](http://fonestar.com/KS-08WIFI).
- 3.- A APP irá procurar dispositivos compatíveis ligados à mesma rede e, se já a tiver ligado antes, a coluna irá aparecer diretamente e, após alguns instantes, a reprodução dirá CONNECTED TO YOUR Wi-Fi NETWORK (LIGADO À SUA REDE Wi-Fi).

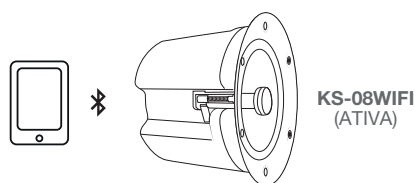
#### MODOS DE FUNCIONAMENTO: AUX IN



Ligue um sinal auxiliar (PC, mesa de misturas, televisão, etc) no conector AUX IN do painel posterior da coluna e selecione o modo AUX pressionando MODE, ou através da APP, caso a coluna já tenha sido previamente ligada à rede Wi-Fi. A reprodução dirá A-U-X MODE.

- Selecione a música no seu reproduzidor externo e inicie a reprodução.

## MODOS DE FUNCIONAMENTO: BLUETOOTH



Selecione o modo BLUETOOTH no **KS-08WIFI** pressionando o botão MODE da coluna ativa ou do comando à distância, ou através da APP, caso a coluna já tenha sido previamente ligada à rede Wi-Fi. A reprodução dirá BLUETOOTH MODE.

- Abra o ecrã de configuração de Bluetooth do seu smartphone ou tablet para emparelhar o **KS-08WIFI**.
- Pesquise e selecione o dispositivo KS-08WIFI e emparelhe os dois. Será reproduzido um som de verificação.

**NOTA:** este amplificador memoriza o último dispositivo ligado. Pelo que, se for o mesmo dispositivo, não será necessário repetir este processo de emparelhamento.

- Selecione a música no seu smartphone/tablet e inicie a reprodução.
- Certifique-se de que o volume do seu smartphone/tablet é suficiente para poder ser ouvido através das colunas. Deste modo, agora poderá controlar o volume a partir da APP ou do comando à distância sem ter de manipular mais nenhum equipamento.

## LIGAÇÃO

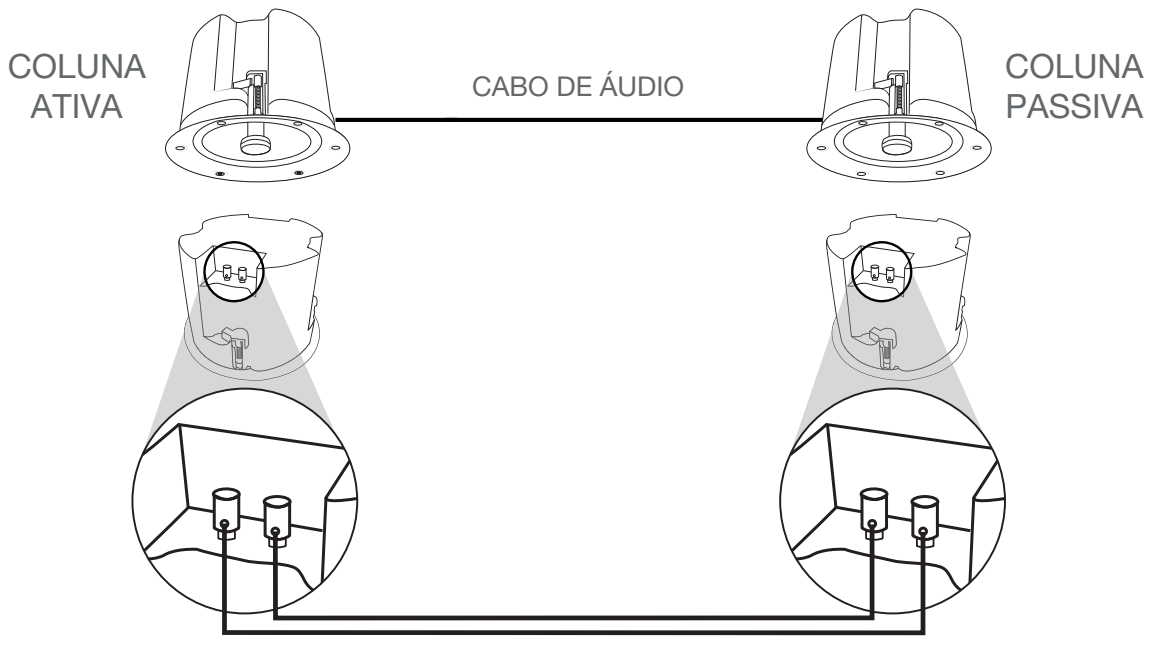
- Ligue as colunas ativa e passiva com um cabo de colunas. Ligue a saída R SPEAKER OUT da coluna ativa à entrada SPEAKER IN da coluna passiva.
- Opcional: ligue um cabo de áudio à entrada AUX IN.
- Ligue o adaptador de corrente primeiro à coluna e, por último, à alimentação.

## INSTALAÇÃO

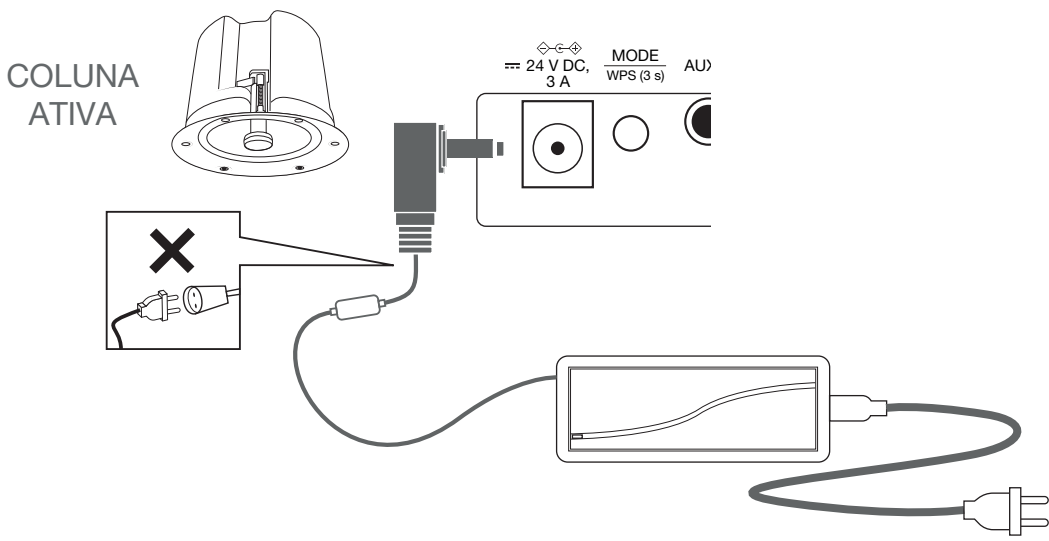
1



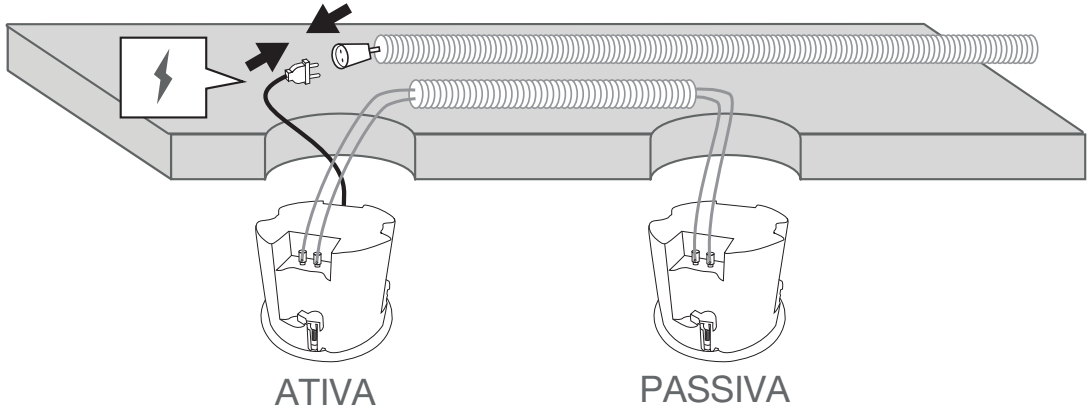
2

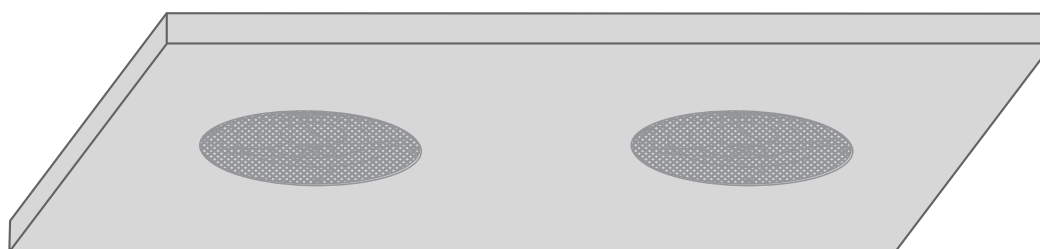
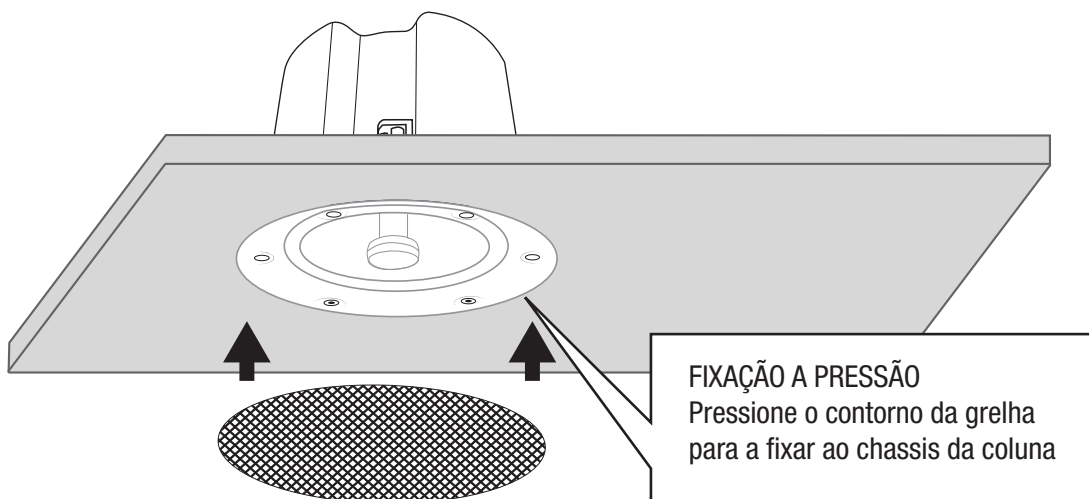
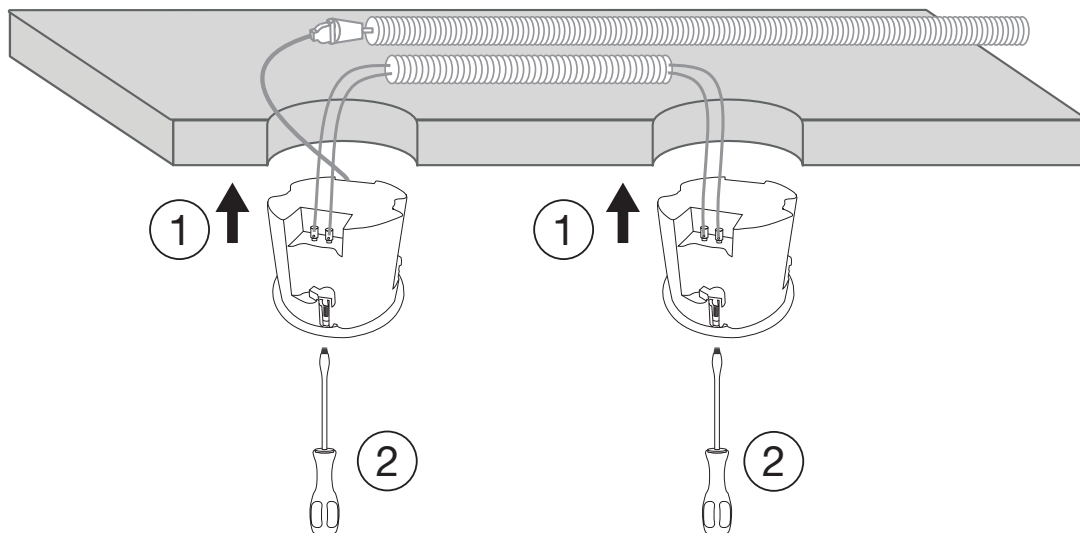


3



4





Descarregue a APP gratuita  
WiiM - Legacy Player



Wi-Fi ID: KS-08WIFI\_XXXX



## ESPECIFICAÇÕES TÉCNICAS

KS-08WIFI	
<b>CARACTERÍSTICAS</b>	<p>Par de colunas de teto Wi-Fi e Bluetooth.            Coluna ativa com amplificador e saída para coluna passiva.            Reproduz música a partir do seu smartphone, tablet, Windows ou Mac (compatível com DLNA e Airplay).            App para controlar a partir de smartphones e tablets (iOS e Android), que permite ligar serviços de música online e rádio online.            Recetor Bluetooth.            Entrada de linha.            Função multiroom (ver NOTA).            Grelha sem moldura e perfil baixo.            Comando à distância.</p>
<b>BLUETOOTH</b>	<p>Bluetooth 5.0            Distância de transmissão de 10 m</p>
<b>AMPLIFICADOR</b>	2 x 25 W RMS
<b>COLUNAS</b>	Coaxial: woofer 6 ½", kevlar e tweeter 1" (ativo e passivo) @ 8 Ω
<b>RESPOSTA</b>	80-20.000 Hz
<b>ENTRADAS</b>	<p>1 auxiliar estéreo, jack 3,5 mm 1 V RMS            1 RJ-45 Ethernet (ligação de dados Ethernet)</p>
<b>SENSIBILIDADE</b>	89 dB @ 1 W/1 m
<b>RELAÇÃO SINAL/RUÍDO</b>	≤ 92 dB
<b>MATERIAIS</b>	<p>Estrutura envolvente ABS            Grelha redonda sem moldura</p>
<b>ALIMENTAÇÃO</b>	24 V CC, 3 A com adaptador incluído
<b>MEDIDAS</b>	<p>Colunas:            230 mm Ø x 160 mm de profundidade            Orifício de corte: 203 mm Ø</p>
<b>ACESSÓRIOS</b>	<p>Cabo de coluna 5 m            Comando à distância            Pilhas para o comando à distância</p>
<b>NOTA</b>	<p>O modo multiroom permite que várias colunas reproduzam o mesmo áudio de forma simultânea agrupando-as facilmente a partir da APP. Uma das colunas será a principal, juntando-se a esta as restantes do grupo</p> <p>Todas as colunas secundárias devem ligar-se à coluna principal da mesma forma: Wi-Fi (prioritário se alguma coluna estiver ligada à rede Wi-Fi) ou com cabo de dados Ethernet (se nenhuma coluna estiver ligada a Wi-Fi). Por Wi-Fi, as colunas secundárias irão ligar-se ao ponto de acesso da coluna principal, a qual cria uma rede própria para a função multiroom. As colunas secundárias devem estar dentro do raio de alcance da rede da coluna principal (5 - 7 m aprox.)</p>

### DECLARAÇÃO UE DE CONFORMIDADE SIMPLIFICADA

A abaixo assinada, FONESTAR SISTEMAS S.A. declara que o sistema de som KS-08WIFI está em conformidade com a Diretiva 2014/53/UE.

O texto integral da declaração de conformidade está disponível no seguinte endereço de internet: [fonestar.com/KS-08WIFI](http://fonestar.com/KS-08WIFI)





[www.fonestar.com](http://www.fonestar.com)